



P R E S S U R E
T E M P E R A T U R E
L E V E L
I N S T R U M E N T A T I O N
F L O W
A N A L Y T I C A L

Autoclaveable Pressure Transmitter

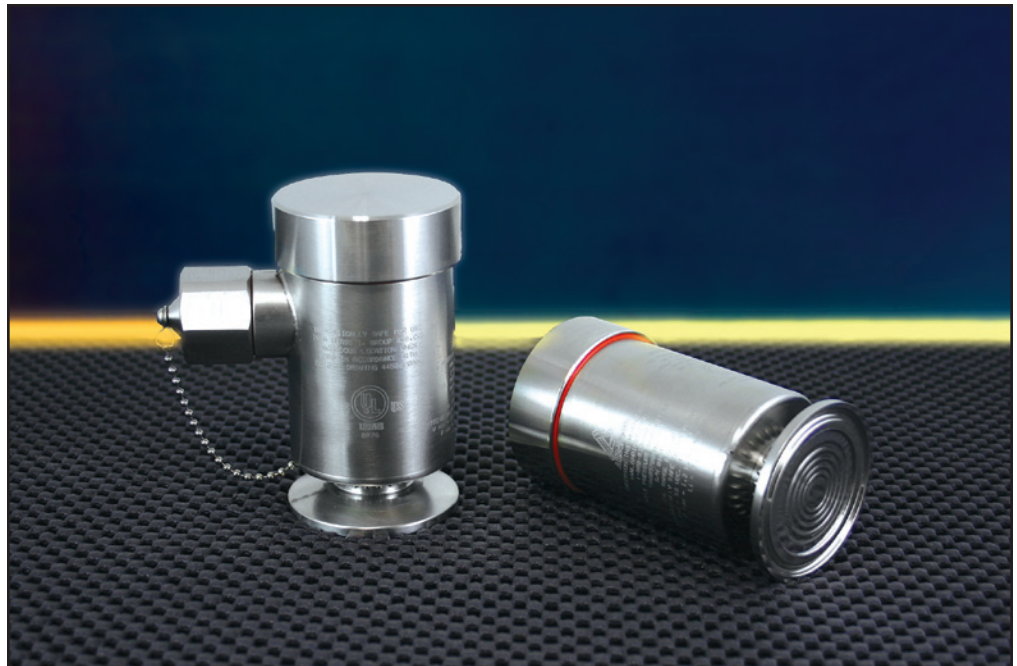
- *Compact low profile design*
- *Output remains stable through repeated autoclave cycles*
- *Rated NEMA 4X & 6P, IP67 & 69k*

Anderson's Autoclaveable HA Sanitary Pressure Transmitter is specifically designed for critical measurements in fractional size lines. Developed from the highly stable "Mini" HA Pressure Transmitter, the Autoclaveable HA takes the versatility of a small form factor transmitter to the next level by withstanding the stress of the autoclave environment. Its one-piece stainless steel package design incorporates a transducer and electronic circuitry to convert pressure and/or vacuum to a proportional 4-20 mA signal.

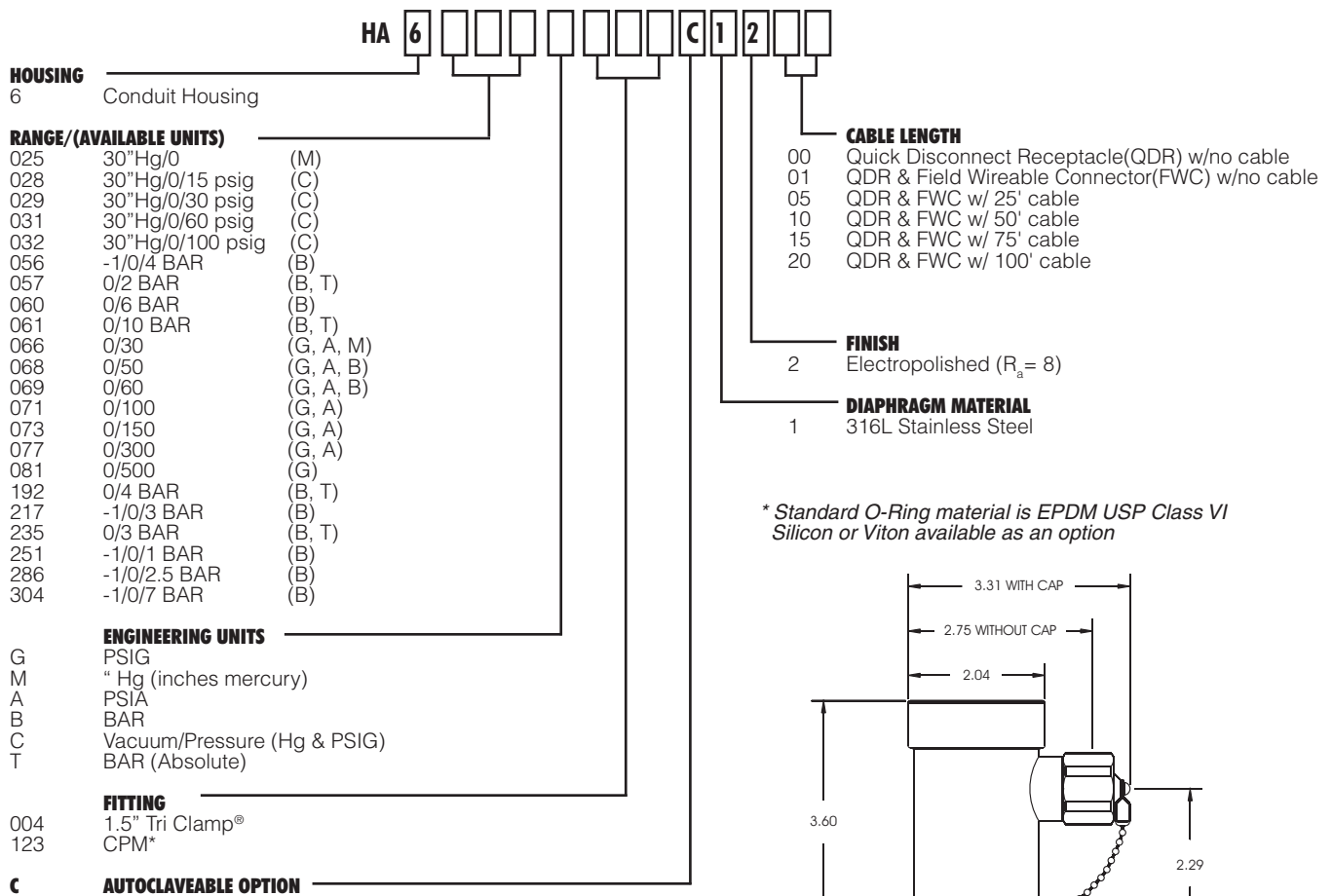
The product can be ordered with 1-1/2" Tri-Clamp® connection or our CPM fitting that eliminates hold-up volumes in process lines. All units are supplied factory calibrated to standard or custom ranges. For field maintenance, non-interactive zero, and span

adjustments, as well as easily accessible test points that greatly simplify calibration and validation. 316 "L" stainless steel wetted parts are electro-polished to an $R_a=8$. Finally, since it's an Anderson "Pharmaceutical Series" product, every transmitter includes calibration and material certificates and permanent tag at no charge.

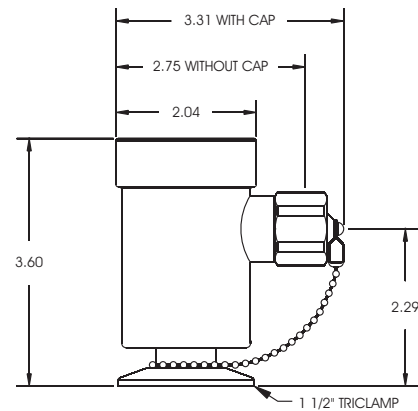
Complete specifications and ordering information are available on the reverse. For more information please visit our Web Site at www.andinst.com, or contact your local Authorized Anderson Distributor.



Complete Product Ordering Matrix



* Standard O-Ring material is EPDM USP Class VI
Silicon or Viton available as an option



SHOWN WITH AUTOCLAVE CAP

Specifications

Excitation:	10-40 VDC (Absolute), 24 VDC Nominal regulated or unregulated	Ambient Temperature Limits:	-18°C to 49°C (0°F to 120°F)
Output:	4-20 mA DC, 2 wire with non- interrupting circuit verification test	Storage Temperature:	-40°C to 65°C (-40°F to 149°F)
points		Over-Range Rating:	2 times base range
Loop Resistance:	0-700 ohms at 24 VDC	Response Time:	200 uSec
Wiring Connection:	5pin M12 Quick Disconnect Receptacle	Wetted Parts:	316L stainless steel electropolished (R_a max. = 8 microinches, .2 microns)
Recommended Cable:	22-24 AWG, foil shielded, and PVC coated. (3/16 - 1/4 OD insulation)	Housing Material:	304 stainless steel
Accuracy:	± 0.4% of full scale	Zero and Span Adjustments:	± 10% of range
Repeatability:	± 0.2% of full scale	Mounting:	Direct connection
Hysteresis:	± 0.10% of full scale	Electrical Ratings:	Intrinsically safe for use in Class 1, Div. 1, Groups A-D; CE (EMC Industrial Locations)
Linearity:	±0.10% of full scale	Compliant:	Designed and manufactured to sound engineering practices in accordance with Article 3.3 of the PED 97/23/EC
Stability:	±0.15% of calibrated range for 6 months or 30 Autoclave cycles	Standards:	IP67 & 69k CSA B51-03 CRN# CSA0F9754.5C
Effect of Temperature Change:	± 0.1 psig/5.5°C (10°F) typical		
Max. Autoclave Temperature:	124°C (255°F) for 1 hour		
Process Temperature Limits:	-1°C to 149°C (30°F to 300°F) (Horizontal Mount recommended over 135°C (275°F))		