



FLOW  
LEVEL  
PRESSURE  
ANALYTICAL  
TEMPERATURE  
INSTRUMENTATION  
PASTEURIZATION CONTROLS



## “ELH Series” (Extended Life) Pressure Gauge

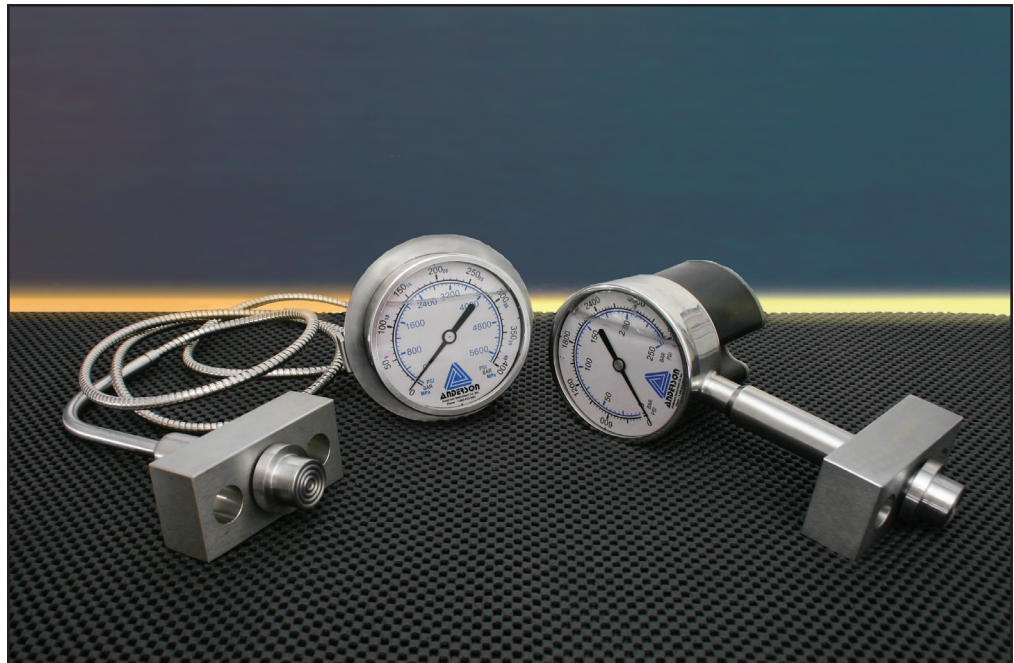
- *Permanently filled and sealed sensing system provides class leading pulsation dampening and long life.*
- *Heavy duty stainless case and all welded design provide shock and vibration resistance*
- *Transmitter option is ideal to upgrade single port machines for data logging or remote reading*
- *Available with all common homogenizer fittings for either direct and panel mounting*
- *3-A compliant; Third Party verified*

Homogenizer service is a torture test for any dairy gauge. Modern homogenizers utilize multi-piston, high pressure pumps that result in a pounding that soon sends lesser gauges to the scrap pile. The ELH solves this senseless waste.

With the ELH Gauge, Anderson has combined our understanding of homogenizers and the dairy environment along with the design principles of our class leading EL gauge. The ELH is designed from the ground up to be the toughest, most reliable gauge for homogenizer applications. With over 30 years of experience building and repairing hundreds of thousands of gauges from a dozen different suppliers, we've identified and addressed all the key causes of premature failure. While the ELH is undoubtedly the most durable 3-1/2" homogenizer gauge available today, it is also quite

innovative. It comes available with a fully potted and sealed integral transmitter that can be field calibrated for both zero and span. Configured with a broad range of sanitary homogenizer fittings, direct or panel mounting, and the optional integral transmitter, the ELH is likely to be the perfect replacement gauge for your homogenizer. And because it's an Anderson gauge you can rest assured it meets every current sanitary standard and is being used by the tens of thousands in food, dairy, beverage, and brewing applications worldwide.

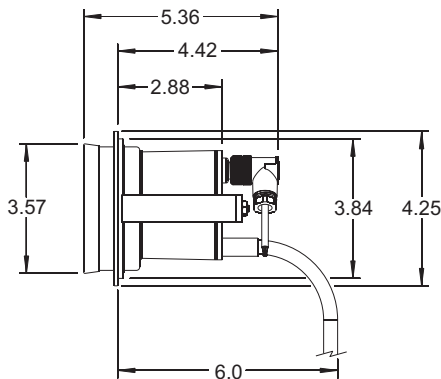
Complete specifications and ordering information are available on the reverse. For additional information please visit us on the web at [www.andinst.com](http://www.andinst.com), or contact your local Authorized Anderson Distributor.



# ELH Complete Product Ordering Matrix

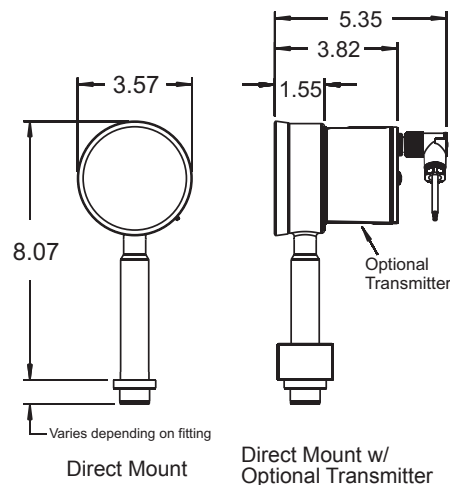
ELH		01		111A		CABLE LENGTH	
<b>RANGE</b>							
085	0-1,500 psig					00	No Cable or QDR only
087	0-2,500 psig					R0	Quick Disconnect Receptacle(QDR) & 90°FWC
090	0-5,000 psig					R1	QDR & Field Wireable Connector(FWC) w/25 ft Cable
221	0-6,000 psig					R2	QDR & FWC w/50 ft Cable
093	0-10,000 psig					R3	QDR & FWC w/75 ft Cable
094	0-15,000 psig					R4	QDR & FWC w/100 ft Cable
971	0/100 BAR	BAR ranges are provided with dual range BAR & PSI markings				R5	QDR & FWC w/125 ft Cable
974	0/160 BAR					R6	QDR & FWC w/150 ft Cable
976	0/250 BAR					R7	QDR & FWC w/175 ft Cable
979	0/400 BAR					R8	QDR & FWC w/200 ft Cable
982	0/600 BAR						
984	0/1000 BAR						
<b>DIAL NAME/LOGO</b>						<b>OUTPUT</b>	
01	Anderson					0	No Output
<b>FITTING (see doc. 1163 for fitting dim. details)</b>						1	4-20mA Output - Factory calibrated to selected range
056	Homogenizer (less flange)*					<b>ARMOR/LENGTH</b>	
057	Homogenizer (7/8" flange)*					00	None (bottom mount)
058	Homogenizer (1-1/8" flange)*					01	5' PVC
117	APV/Rannie					02	10' PVC
118	Tetra Pak & Bran & Luebbe					03	15' PVC
157	Niro					21	5' S.S.
<b>MOUNT</b>						22	10' S.S.
1	Bottom					23	15' S.S.
2	Panel/Remote						
<b>111A FIXED CHARACTERS</b>							

\* Common high pressure fitting for APV and others.



Remote Panel Mount w/ Optional Transmitter

All dimensions in inches



Direct Mount

Direct Mount w/ Optional Transmitter

## Specifications:

### PERFORMANCE MECHANICAL & ELECTRICAL

Gauge Accuracy:	Factory calibrated to +/- 1.5% of full scale, from 10 to 90% of pressure range
Transmitter Accuracy:	+/- 0.5% of full span
Over-range capability:	25% for ranges up to 100 BAR (1.5k PSI) 15% for ranges up to 600 BAR (8.7k PSI) 10% for ranges up to 16K BAR (23k PSI)
Temperature Effect:	.16% per 10°F process temperature change .25% per 10°F ambient temperature change
Process Temperature Limits:	25 to 300°F (-4 to 149°C)
Ambient Temperature Limits:	32 to 140°F (0 to 60°C)
CIP Temperature Limit:	300°F (149°C)
SIP Temperature Limit:	300°F (149°C)
Stability:	Within specified accuracy for 6 months
Decay Rate:	1- 2 seconds

### CONSTRUCTION / FINISH

Diaphragm:	C276 Hastelloy
Fitting:	316L stainless steel
Diaphragm and Fitting:	Welded & polished. Max. $R_a = 25\mu$
Spiral Coil:	Stainless steel
Socket:	Stainless steel with integral fill port
Case/Stem:	Welded 304 stainless steel (polished)
Dial:	Adhesive-backed printed Mylar in various scales, 90mm diameter minimum

Lens/Dial Plate:	Chemical resistant polysulfone, able to withstand 325°F
Bezel:	304 stainless steel, polished, compression formed to case (non-removable)
Viewing Angle:	100 degrees minimum
Pointer:	Aluminum, black anodized
<b>OPERATIONAL</b>	
Spiral Coil, Tip, and Socket Construction:	Welded connections
Internal Fill:	Standard, ETR (extended Temperature range) mineral oil
Case Fill:	Standard, glycerin 100% USP Food Grade
Mechanical Dampening:	Standard
Output:	Optional 4-20 mA DC, 2 wire (4 mA at zero pressure & 20 mA at upper range value).
Loop Resistance:	0-700 ohms at 24 VDC
Electrical Connection:	M12 5Pin quick disconnect receptacle (field wireable connector and cable available).
Recommended Cable:	22-24 AWG, foil shielded, 0.17 - 0.26" Cable Sheath OD for use with field wiring connector
Electrical Protection:	Voltage spike and reverse polarity
Operating voltage:	10-40 VDC (Absolute), 24 VDC Nominal regulated or unregulated.
Transmitter Zero Adjustment:	+/- 10% of span (With back removed)
Pointer Re-zero Adjustment:	Tamper resistant adjustment, +/- 5% of span. Non interactive with span. External adjustment located on back of case.