



## Bevel Seat Fittings



Stainless Steel Flow Control Equipment for the  
Food, Beverage, Dairy, Cosmetics, Biotechnology,  
Pharmaceutical and Electronics Processing Industries

# Bevel Seat Fittings



Top Line precision crafted Bevel Seat ACME Thread Union Fittings provide fast, sanitary and secure connections. Polished fittings meet or exceed FDA and 3A regulatory standards.

## Bevel Seat Specifications

- Size Range: 1" OD through 4" OD
- Materials: 304 (Stock No. Prefix 34)  
316L (Stock No. Prefix 36)
- Finish: No. 7 – ID and OD (standard)  
No. 5 – OD only (special)  
No. 3 – ID only (special)  
No. 1 – unpolished (special)

## Ordering Specifications

- Specify:
  - Quantity
  - Size
  - Product Description
  - Stock Number
  - Material Type
  - Polish Requirements

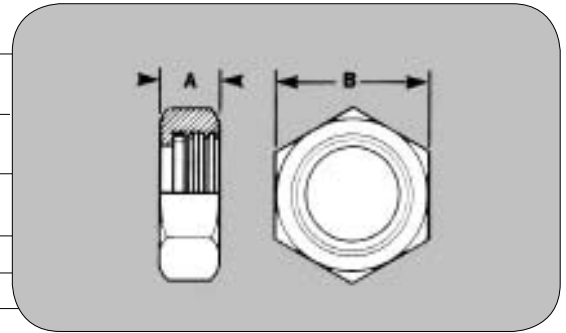
Cataloged part numbers are for Type 304 Stainless Steel

## Example

Quantity	Size	Product Description	Stock Number	Material Type	Polish
↓	↓	↓	↓	↓	↓
<u>3 Each</u>	<u>2"</u>	<u>2C-90°</u>	<u>#343520C</u>	<u>Type 304</u>	<u>No. 7</u>
<u>3 Each</u>	<u>2"</u>	<u>2C-90°</u>	<u>#363520C</u>	<u>Type 316L</u>	<u>No. 7</u>

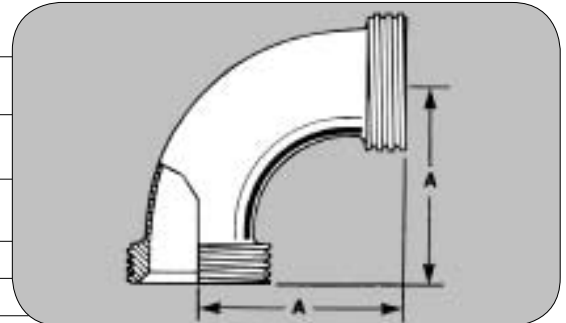
### 13H-HEX UNION NUT (3A)

SIZE (TUBE O.D.)	A	B	STOCK NO.
1	29/32	1-13/16	346510
1-1/2	31/32	2-13/32	346515
2	1-1/16	3	346520
2-1/2	1-3/16	3-19/32	346525
3	1-9/32	4-3/16	346530
4	1-1/2	5-7/16	346540



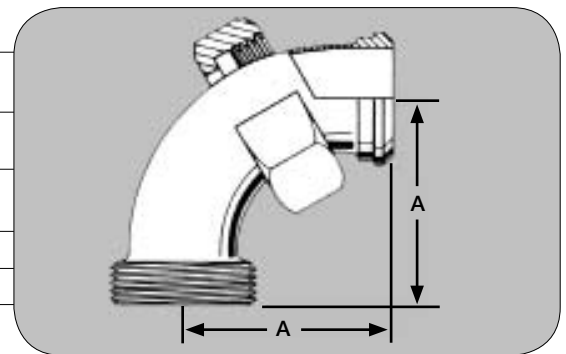
### 2C-90° SWEEP ELL (3A)

SIZE (TUBE O.D.)	A	STOCK NO.
1	2-3/16	343510C
1-1/2	2-31/32	343515C
2	3-23/32	343520C
2-1/2	4-27/32	343525C
3	5-29/32	343530C
4	8-1/16	343540C



### 2F-90° SWEEP ELL (3A)

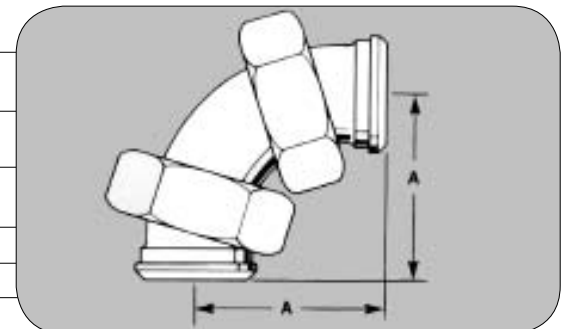
SIZE (TUBE O.D.)	A	STOCK NO.
1	2-3/16	343510F
1-1/2	2-31/32	343515F
2	3-23/32	343520F
2-1/2	4-27/32	343525F
3	5-29/32	343530F
4	8-1/16	343540F



HEX NUT INCLUDED

### 2E-90° SWEEP ELL (3A)

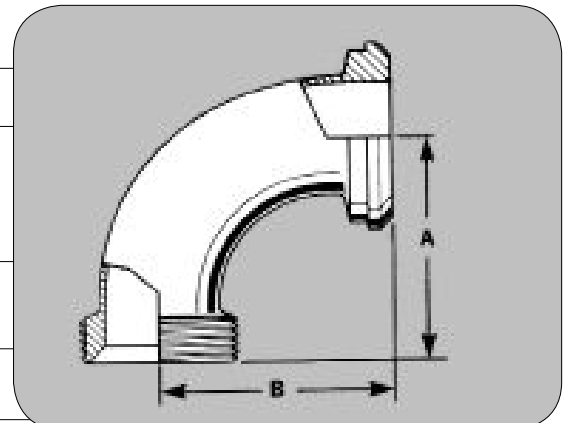
SIZE (TUBE O.D.)	A	STOCK NO.
1	2-3/16	343510E
1-1/2	2-31/32	343515E
2	3-23/32	343520E
2-1/2	4-27/32	343525E
3	5-29/32	343530E
4	8-1/16	343540E

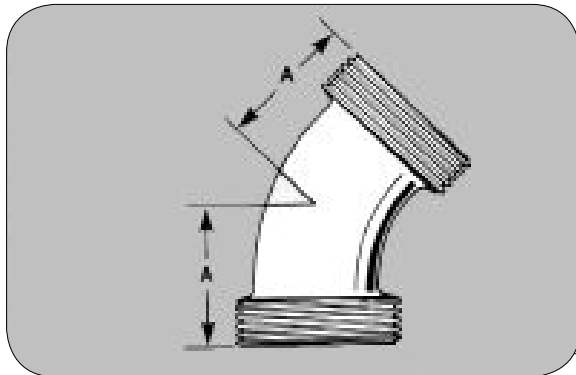


HEX NUTS INCLUDED

### 2F-31-90° CONCENTRIC REDUCING ELL (3A)

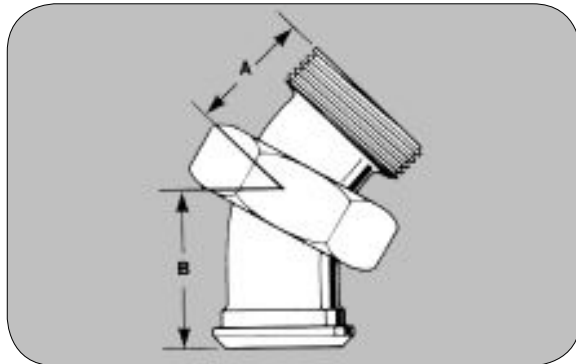
SIZE (TUBE O.D.)	A	B	STOCK NO.
1-1/2 X 1	2-3/16	1-15/16	343615
2 X 1	2-3/16	2-1/16	343620
2 X 1-1/2	2-31/32	2-13/16	343620A
2-1/2 X 1-1/2	2-31/32	2-13/16	343625
2-1/2 X 2	3-23/32	3-9/16	343625A
3 X 1-1/2	2-31/32	2-15/16	343630
3 X 2	3-23/32	3-11/16	343630A
3 X 2-1/2	4-27/32	4-7/16	343630B
4 X 2-1/2	4-27/32	4-9/16	343640
4 X 3	5-29/32	5-5/16	343640A





2K-45° SWEEP ELL (3A)

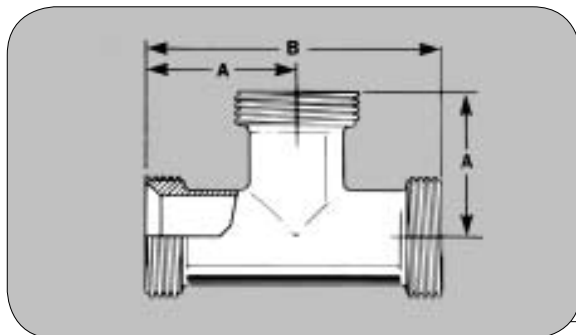
SIZE (TUBE O.D.)	A	STOCK NO.
1	1-5/16	343810
1-1/2	1-21/32	343815
2	2-1/8	343820
2-1/2	2-5/8	343825
3	3-1/8	343830
4	4-1/4	343840



2P-45° SWEEP ELL (3A)

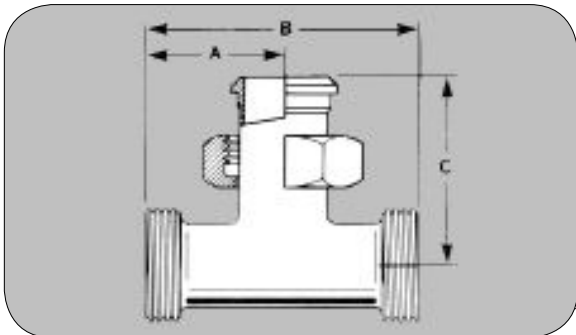
SIZE (TUBE O.D.)	A	B	STOCK NO.
1	1-5/16	2 -1/8	343910
1-1/2	1-21/32	2 -1/8	343915
2	2-1/8	2 -5/16	343920
2-1/2	2-5/8	2 -9/16	343925
3	3-1/8	2 -29/32	343930
4	4-1/4	3 -7/8	343940

HEX NUT INCLUDED



7 TEE (3A)

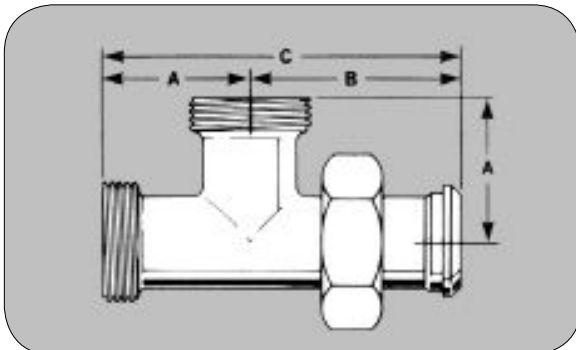
SIZE (TUBE O.D.)	A	B	STOCK NO.
1	1-13/16	3-5/8	344010
1-1/2	2-3/8	4-3/4	344015
2	2-25/32	5-9/16	344020
2-1/2	3-3/16	6-3/8	344025
3	3-1/2	7	344030
4	4-21/32	9-5/16	344040



7A TEE (3A)

SIZE (TUBE O.D.)	A	B	C	STOCK NO.
1	1-13/16	3-5/8	2-11/16	344010A
1-1/2	2-3/8	4-3/4	3-13/32	344015A
2	2-25/32	5-9/16	3-13/16	344020A
2-1/2	3-3/16	6-3/8	4-1/4	344025A
3	3-1/2	7	4-5/8	344030A
4	4-21/32	9-5/16	6-1/8	344040A

HEX NUT INCLUDED



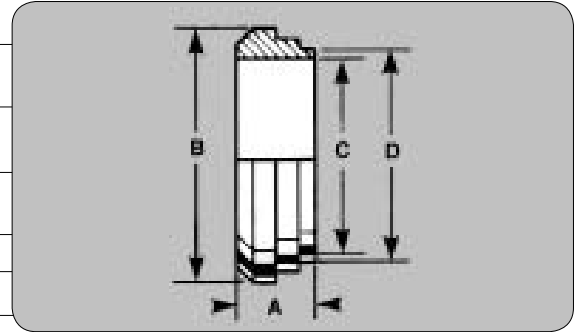
7B TEE (3A)

SIZE (TUBE O.D.)	A	B	C	STOCK NO.
1	1-13/16	2-11/16	4-1/2	344010B
1-1/2	2-3/8	3-13/32	5-25/32	344015B
2	2-25/32	3-13/16	6-19/32	344020B
2-1/2	3-3/16	4-1/4	7-7/16	344025B
3	3-1/2	4-5/8	8-1/8	344030B
4	4-21/32	6-1/8	10-25/32	344040B

HEX NUT INCLUDED

### 14PRF SHORT WELD FERRULE (3A)

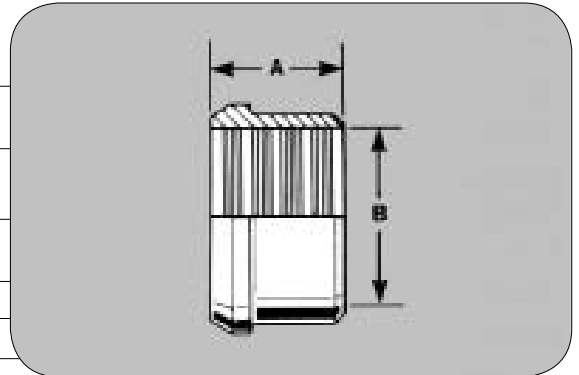
SIZE (TUBE O.D.)	A	B	C	D	STOCK NO.
1	11/16	1-5/16	55/64	1	344110B
1-1/2	23/32	1-27/32	1-23/64	1-1/2	344115B
2	23/32	2-3/8	1-55/64	2	344120B
2-1/2	27/32	2-29/32	2-23/64	2-1/2	344125B
3	29/32	3-7/16	2-55/64	3	344130B
4	1-7/32	4-1/2	3-13/16	4	344140B



### 14R-PLAIN RECESSLESS FERRULE (3A)

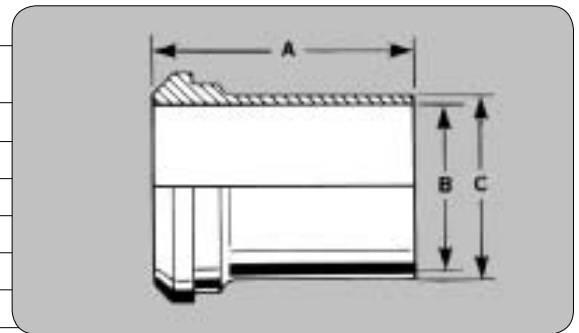
(For Expanding)

SIZE (TUBE O.D.)	A	B	STOCK NO.
1	3/4	1	344110R
1-1/2	1-1/8	1-1/2	344115R
2	1-5/16	2	344120R
2-1/2	1-3/8	2-1/2	344125R
3	1-7/16	3	344130R
4	1-1/2	4	344140R



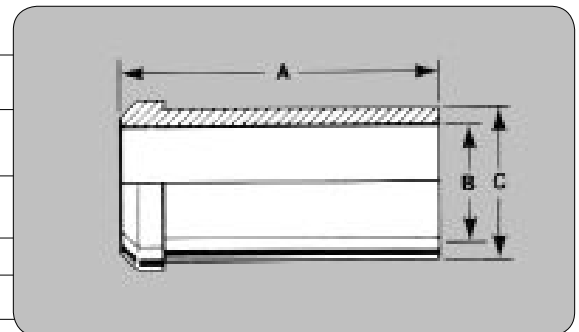
### L14A7-PLAIN TUBE FERRULE (3A)

SIZE (TUBE O.D.)	A	B	C	STOCK NO.
1	1-3/8	29/32	1	344110A
1-1/2	1-1/2	1-13/32	1-1/2	344115A
2	1-1/2	1-7/8	2	344120A
2-1/2	1-3/4	2-3/8	2-1/2	344125A
3	1-3/4	2-7/8	3	344130A
4	1-3/4	3-27/32	4	344140A



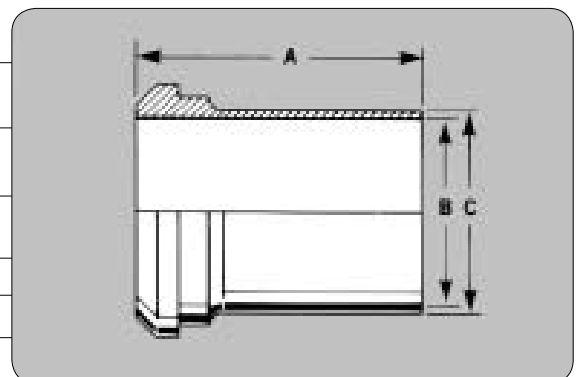
### 14W-PLAIN FERRULE, TANK SPUD (HEAVY) (3A)

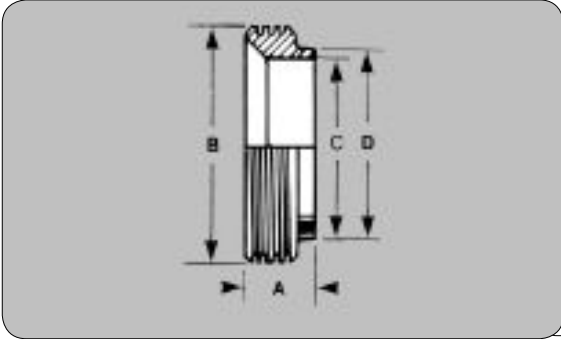
SIZE (TUBE O.D.)	A	B	C	STOCK NO.
1	2-3/8	29/32	1-5/32	344110W
1-1/2	2-17/32	1-13/32	1-43/64	344115W
2	2-25/32	1-7/8	2-3/16	344120W
2-1/2	3-1/16	2-3/8	2-45/64	344125W
3	3-17/32	2-7/8	3-7/32	344130W
4	4-5/16	3-13/16	4-1/4	344140W



### 14WL-PLAIN FERRULE, TANK SPUD (LIGHT) (3A)

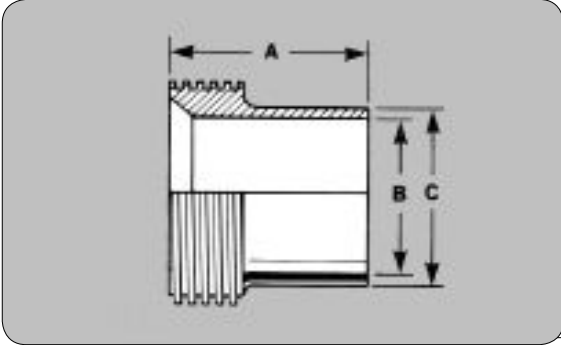
SIZE (TUBE O.D.)	A	B	C	STOCK NO.
1	2	29/32	1	344110WL
1-1/2	2-1/4	1-13/32	1-1/24	344115WL
2	2-1/2	1-7/8	2	344120WL
2-1/2	2-3/4	2-3/8	2-1/2	344125WL
3	3	2-7/8	3	344130WL
4	4	3-27/32	4	344140WL





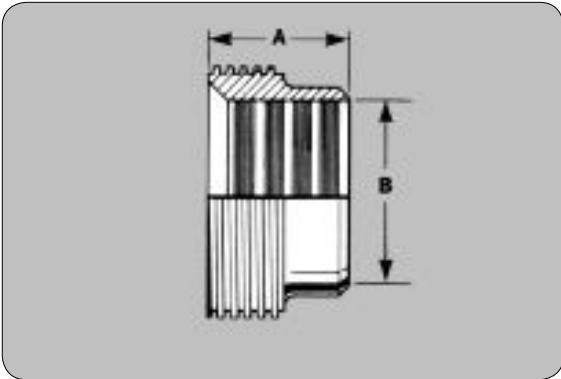
15TRF SHORT WELD FERRULE (3A)

SIZE (TUBE O.D.)	A	B	C	D	STOCK NO.
1	11/16	1-29/32	55/64	1	344210B
1-1/2	23/32	1-63/64	1-23/64	1-1/2	344215B
2	23/32	2-33/64	1-55/64	2	344220B
2-1/2	27/32	3-1/32	2-23/64	2-1/2	344225B
3	29/32	3-9/16	2-55/64	3	344230B
4	1-7/32	4-43/64	3-13/16	4	344240B



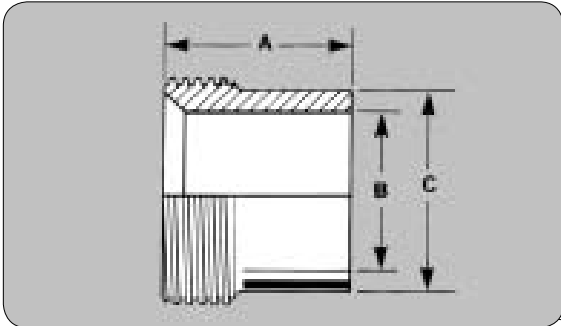
L15A7 THREADED TUBE FERRULE (3A)

SIZE (TUBE O.D.)	A	B	C	STOCK NO.
1	1-3/8	29/32	1	344210A
1-1/2	1-1/2	1-13/32	1-1/2	344215A
2	1-1/2	1-7/8	2	344220A
2-1/2	1-3/4	2-3/8	2-1/2	344225A
3	1-3/4	2-7/8	3	344230A
4	1-3/4	3-27/32	4	344240A



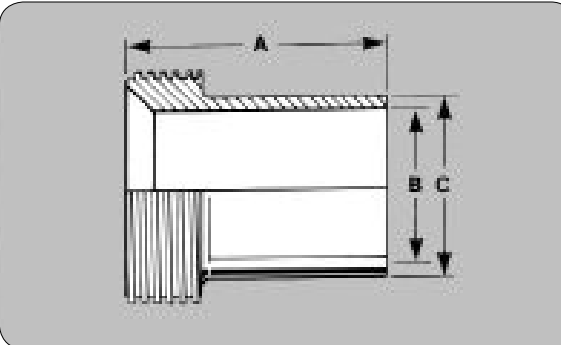
15R-THREADED RECESSLESS FERRULE (3A)  
(For Expanding)

SIZE (TUBE O.D.)	A	B	STOCK NO.
1	13/16	1	344210R
1-1/2	1-1/8	1-1/2	344215R
2	1-3/8	2	344220R
2-1/2	1-1/2	2-1/2	344225R
3	1-5/8	3	344230R
4	1-5/8	4	344240R



15W-THREADED FERRULE, TANK SPUD (HEAVY) (3A)

SIZE (TUBE O.D.)	A	B	C	STOCK NO.
1	1-1/2	29/32	1-1/4	344210W
1-1/2	1-5/8	1-13/32	1-3/4	344215W
2	1-3/4	1-7/8	2-5/16	344220W
2-1/2	1-3/4	2-3/8	2-7/8	344225W
3	1-13/16	2-7/8	3-3/8	344230W
4	2-1/8	3-27/32	4-1/4	344240W

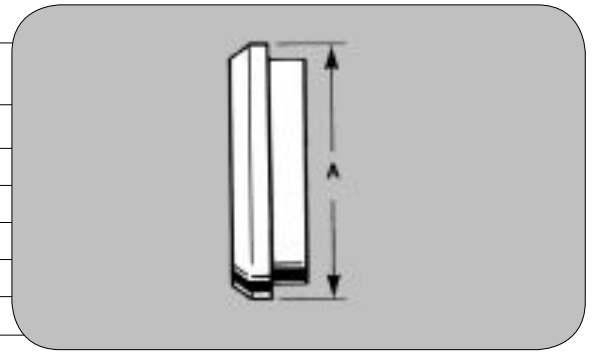


15WL-THREADED FERRULE, TANK SPUD (LIGHT) (3A)

SIZE (TUBE O.D.)	A	B	C	STOCK NO.
1	2	29/32	1	344210WL
1-1/2	2-1/4	1-13/32	1-1/2	344215WL
2	2-1/2	1-7/8	2	344220WL
2-1/2	2-3/4	2-3/8	2-1/2	344225WL
3	3	2-7/8	3	344230WL
4	4	3-27/32	4	344240WL

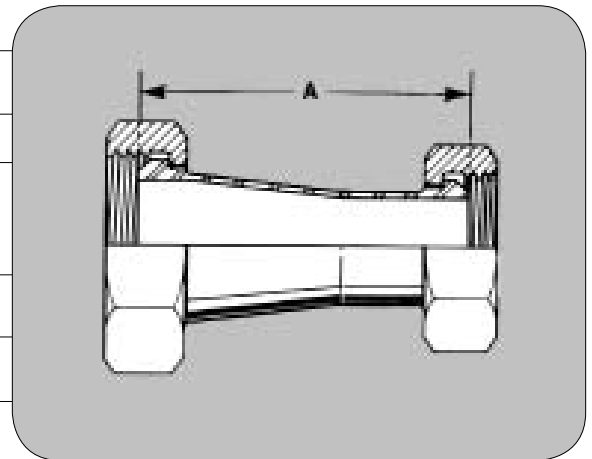
### 16A SOLID END CAP (3A)

SIZE (TUBE O.D.)	A	STOCK NO.
1	1-5/16	346810
1-1/2	1-27/32	346815
2	2-3/8	346820
2-1/2	2-29/32	346825
3	3-7/16	368230
4	4-1/2	346840



### 31-14F-CONVERTING TAPER REDUCER (3A)

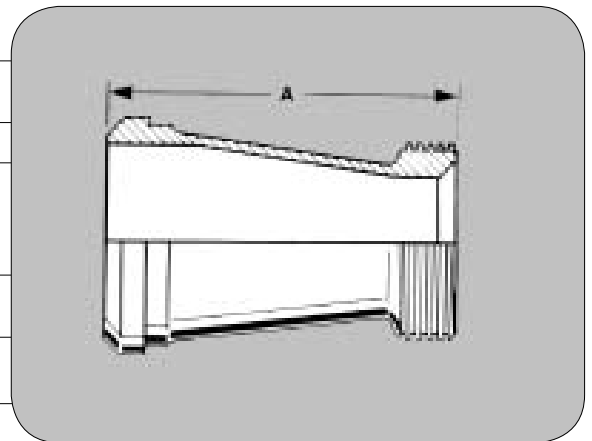
SIZE (TUBE O.D.)	A	STOCK NO.
1-1/2 X 1	4-3/32	344515
2 X 1	6-3/32	344520
2 X 1-1/2	4-7/32	344520A
2-1/2 X 1-1/2	6-11/32	344525
2-1/2 X 2	4-7/32	344525A
3 X 2	6-13/32	344530
3 X 2-1/2	4-19/32	344530A
4 X 2-1/2	8-31/32	344540
4 X 3	6-31/32	344540A



HEX NUTS INCLUDED

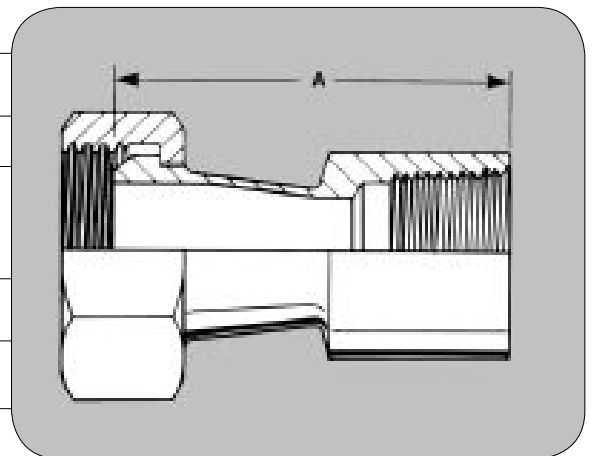
### 31-15F-CONCENTRIC TAPER REDUCER (3A)

SIZE (TUBE O.D.)	A	STOCK NO.
1-1/2 X 1	3-13/32	344615
2 X 1	5-13/32	344620
2 X 1-1/2	3-7/16	344620A
2-1/2 X 1-1/2	5-9/16	344625
2-1/2 X 2	3-9/16	344625A
3 X 2	5-5/8	344630
3 X 2-1/2	3-3/4	344630A
4 X 2-1/2	8-1/16	344640
4 X 3	6-1/8	344640A

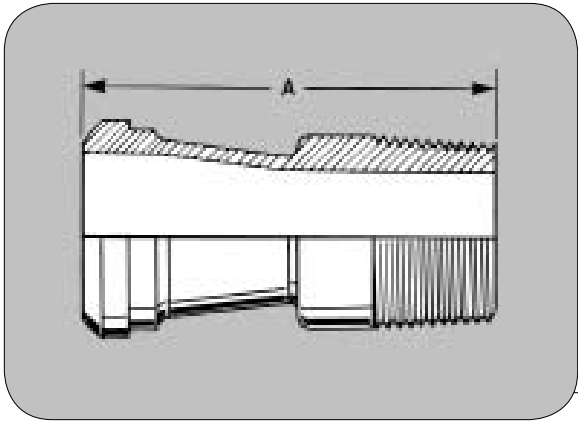


### 31-18F-TAPER REDUCER-ADAPTER

SIZE (TUBE O.D.)	A	STOCK NO.
1-1/2 X 1	4-1/16	344715
2 X 1	6-1/16	344720
2 X 1-1/2	4-11/32	344720A
2-1/2 X 1-1/2	6-15/32	344725
2-1/2 X 2*	4-3/8	344725A
3 X 2	6-7/16	344730
3 X 2-1/2*	4-27/32	344730A
4 X 2-1/2	9-5/32	344740
4 X 3	7-13/32	344740A

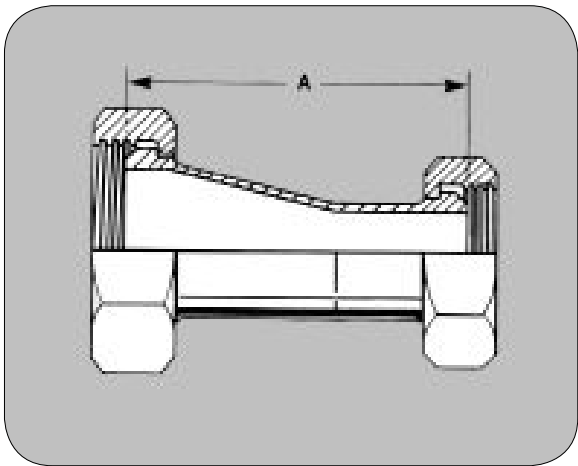


\*HEX NUT INCLUDED ON THESE SIZES ONLY



31-19F-TAPER REDUCER-ADAPTER

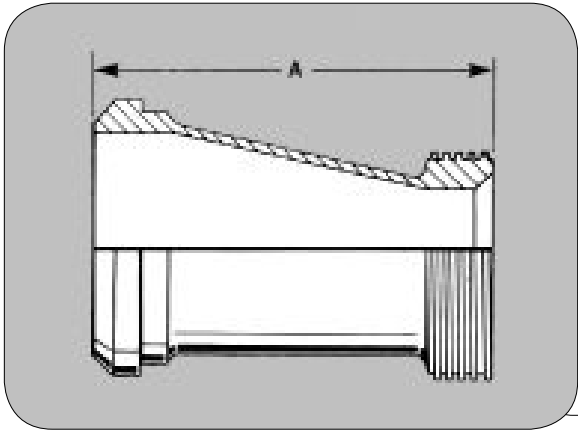
SIZE (TUBE O.D.)	A	STOCK NO.
1-1/2 X 1	4-15/32	344815
2 X 1	6-15/32	344820
2 X 1-1/2	4-15/32	344820A
2-1/2 X 1-1/2	6-19/32	344825
2-1/2 X 2	4-21/32	344825A
3 X 2	6-23/32	344830
3 X 2-1/2	5-7/32	344830A
4 X 2-1/2	9-17/32	344840
4 X 3	7-23/32	344840A



32-14F-ECCENTRIC TAPER REDUCER (3A)

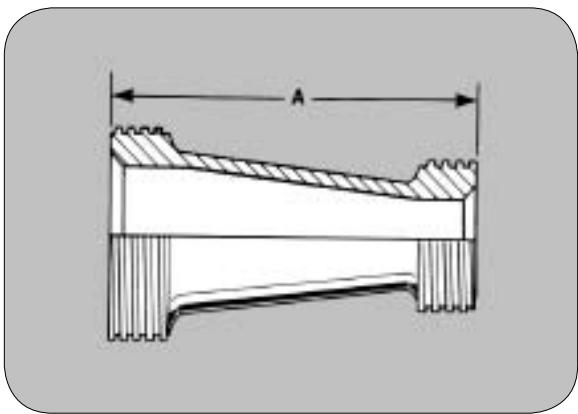
SIZE (TUBE O.D.)	A	STOCK NO.
1-1/2 X 1	4-3/32	344915
2 X 1	6-3/32	344920
2 X 1-1/2	4-7/32	344920A
2-1/2 X 1-1/2	6-11/32	344925
2-1/2 X 2	4-7/32	344925A
3 X 2	6-13/32	344930
3 X 2-1/2	4-19/32	344930A
4 X 2-1/2	8-31/32	344940
4 X 3	6-31/32	344940A

HEX NUTS INCLUDED



32-15F-ECCENTRIC TAPER REDUCER (3A)

SIZE (TUBE O.D.)	A	STOCK NO.
1-1/2 X 1	3-13/32	345015
2 X 1	5-13/32	345020
2 X 1-1/2	3-7/16	345020A
2-1/2 X 1-1/2	5-9/16	345025
2-1/2 X 2	3-9/16	345025A
3 X 2	5-5/8	345030
3 X 2-1/2	3-3/4	345030A
4 X 2-1/2	8-1/16	345040
4 X 3	6-1/8	345040A



31TT-REDUCER (3A)

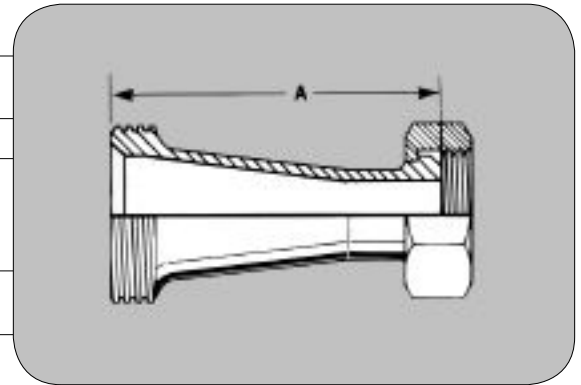
SIZE (TUBE O.D.)	A	STOCK NO.
1-1/2 X 1	3-13/32	345115
2 X 1	3-25/32	345120
2 X 1-1/2	3-7/16	345120A
2-1/2 X 1-1/2	3-29/32	345125
2-1/2 X 2	3-9/16	345125A
3 X 2	5-5/8	345130
3 X 2-1/2	5-13/32	345130A



### 31TP-TAPER REDUCER (3A)

SIZE (TUBE O.D.)	A	STOCK NO.
1-1/2 X 1	4-1/16	345215
2 X 1	4-1/16	345220
2 X 1-1/2	4-7/32	345220A
2-1/2 X 1-1/2	6-7/32	345225
2-1/2 X 2	4-7/32	345225A
3 X 2	6-9/32	345230
3 X 2-1/2	4-19/32	345230A

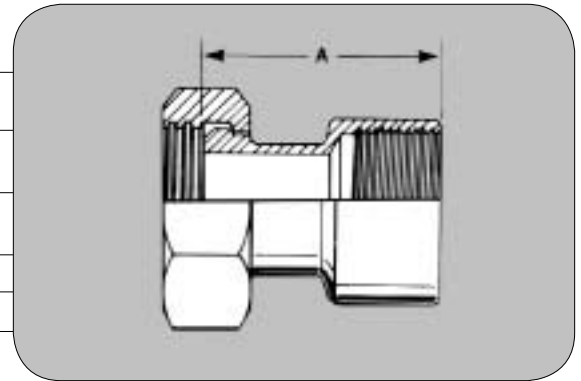
HEX NUT INCLUDED



### 14-18 ADAPTER (Acme Hex Nut to Female NPT)

SIZE (TUBE O.D.)	A	STOCK NO.
1	3-1/8	345410
1-1/2	3-1/4	345415
2	3-5/16	345420
2-1/2	4-1/16	345425
3	4-1/4	345430
4	4-5/16	345440

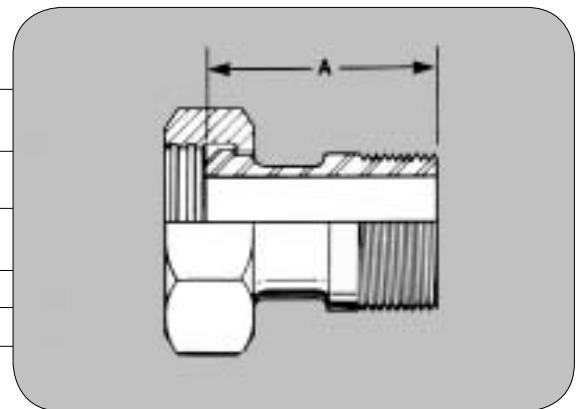
HEX NUT INCLUDED

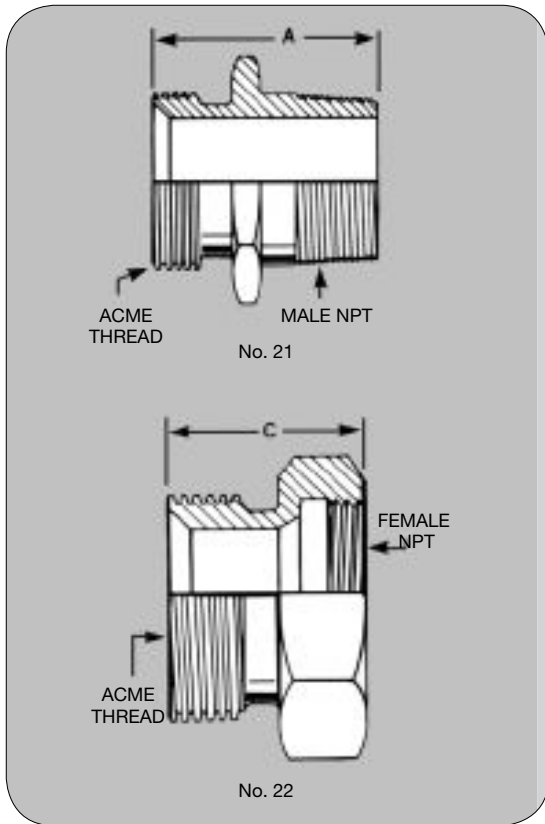


### 14-19 ADAPTER (Acme Hex Nut to Male NPT)

SIZE (TUBE O.D.)	A	STOCK NO.
1	3-1/8	345510
1-1/2	3-1/4	345515
2	3-5/16	345520
2-1/2	4-1/16	345525
3	4-1/4	345530
4	4-5/16	345540

HEX NUT INCLUDED

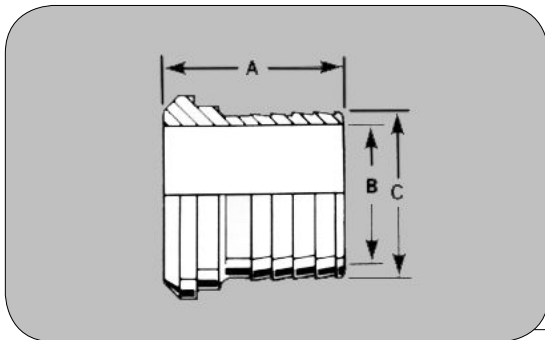




21 AND 22-ADAPTERS

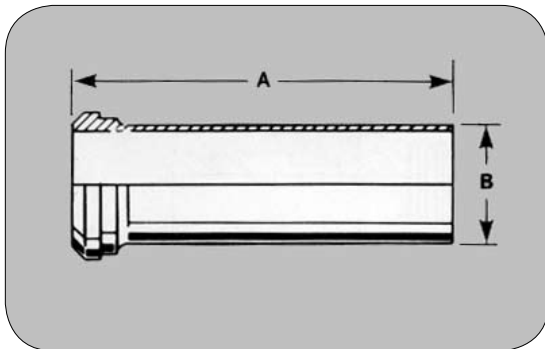
SIZE (TUBE O.D.)	NO. 21 A	NO. 22 C	STOCK NO. NO. 21	STOCK NO. NO. 22
1 X 3/4	2-3/16	1-5/8	345610	345710
1 X 1	2-1/4	2-1/16	345610A	345710A
1 X 1-1/2	2-3/8	2-1/2	345610B	345710B
1 X 2	2-5/8	2-1/2	345610C	345710C
1-1/2 X 3/4	2-3/16	1-5/8	345615	345715
1-1/2 X 1	2-5/16	1-5/8	345615A	345715A
1-1/2 X 1-1/4	2-7/16	2-1/2	345615B	345715B
1-1/2 X 1-1/2	2-7/16	2-1/4	345615C	345715C
1-1/2 X 2	2-5/8	2-1/2	345615D	345715D
2 X 1-1/4	2-15/32	1-21/32	345620	345720
2 X 1-1/2	2-15/32	1-21/32	345620A	345720A
2 X 2	2-21/32	2-11/32	345620B	345720B
2 X 2-1/2	3-1/8	1-27/32	345620C	345720C
2-1/2 X 1	2-21/32	1-27/32	345625	345725
2-1/2 X 1-1/2	2-25/32	1-27/32	345625A	345725A
2-1/2 X 2	2-25/32	1-27/32	345625B	345725B
2-1/2 X 2-1/2	3-9/32	2-3/32	345625C	345725C
3 X 3	3-1/2	2-3/16	345630	345730
4 X 4	3-13/16	2-5/8	345640	345740

NOTE: SANITARY SIZE SHOWN FIRST



14AHR-RUBBER HOSE ADAPTER

SIZE (TUBE O.D.)	A	B	C	STOCK NO.
1	1-11/16	13/16	1	345810
1-1/2	1-11/16	1-5/16	1-1/2	345815
2	2-5/16	1-13/16	2	345820
2-1/2	2-11/32	2-5/16	2-1/2	345825
3	3-1/2	2-13/16	3	345830
4	4	3-13/16	4	345840

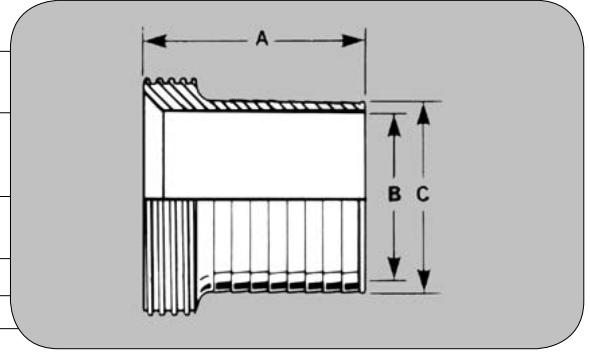


14AHT-TYGON HOSE ADAPTER

SIZE (TUBE O.D.)	A	B	STOCK NO.
1	4-11/16	1	345910
1-1/2	4-23/32	1-1/2	345915
2	4-23/32	2	345920
2-1/2	4-27/32	2-1/2	345925
3	4-29/32	3	345930
4	5-7/32	4	345940

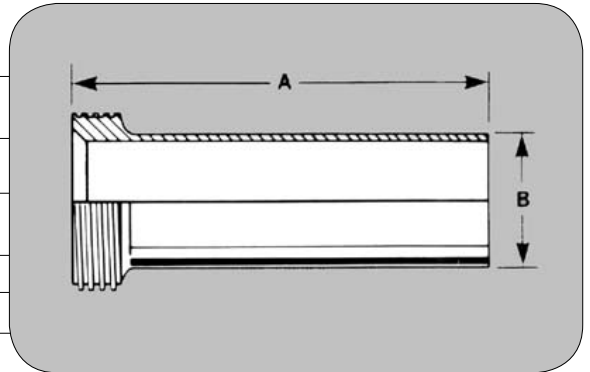
### 15AHR-RUBBER HOSE ADAPTER

SIZE (TUBE O.D.)	A	B	C	STOCK NO.
1	1-11/16	13/16	1	346010
1-1/2	1-11/16	1-5/16	1-1/2	346015
2	2-5/16	1-13/16	2	346020
2-1/2	3	2-5/16	2-1/2	346025
3	3-1/2	2-13/16	3	346030
4	4	3-13/16	4	346040



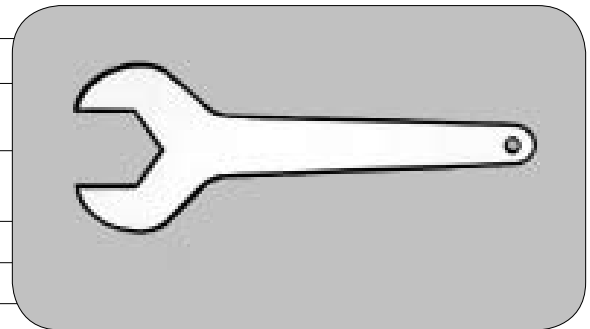
### 15AHT-TYGON HOSE ADAPTERS

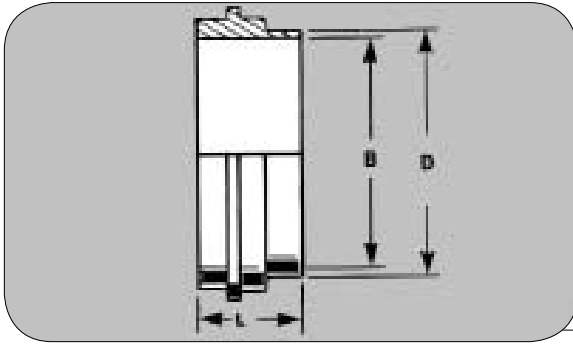
SIZE (TUBE O.D.)	A	B	STOCK NO.
1	4-11/16	1	346110
1-1/2	4-23/32	1-1/2	346115
2	4-23/32	2	346120
2-1/2	4-27/32	2-1/2	346125
3	4-29/32	3	346130
4	5-7/32	4	346140



### 25H ALUMINUM HEX WRENCH-SINGLE END

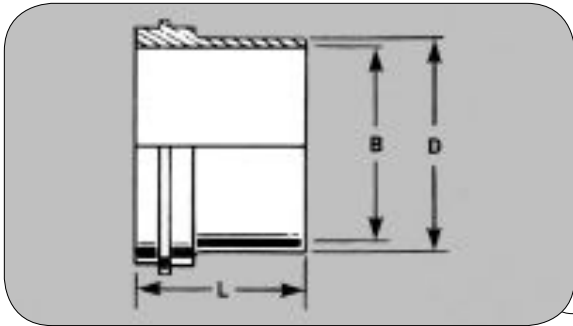
SIZE	STOCK NO.
1	346610
1-1/2	346615
2	346620
2-1/2	346625
3	346630
4	346640





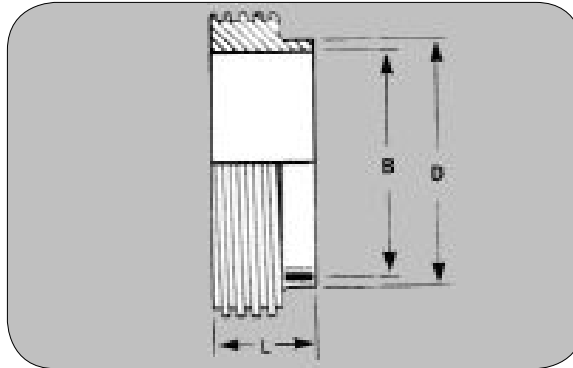
14PRFJP SHORT WELD FERRULE-JOHN PERRY (3A)

SIZE (TUBE O.D.)	D	B	L	STOCK NO.
1	1	.870	11/16	3641B10
1-1/2	1-1/2	1.370	23/32	3641B15
2	2	1.870	23/32	3641B20
2-1/2	2-1/2	2.370	27/32	3641B25
3	3	2.870	29/32	3641B30
4	4	3.834	1-7/32	3641B40



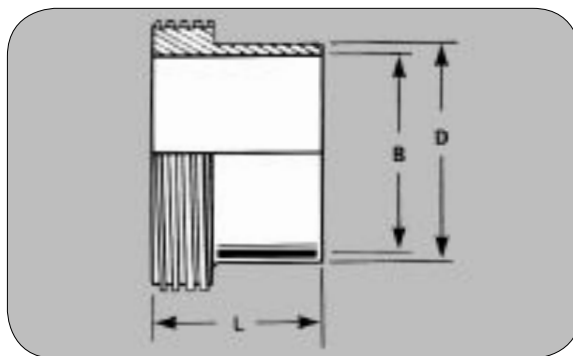
L14AJP PLAIN TUBE FERRULE-JOHN PERRY (3A)

SIZE (TUBE O.D.)	D	B	L	STOCK NO.
1	1	.870	1-3/8	3641A10
1-1/2	1-1/2	1.370	1-1/2	3641A15
2	2	1.870	1-1/2	3641A20
2-1/2	2-1/2	2.370	1-3/4	3641A25
3	3	2.870	1-3/4	3641A30
4	4	3.834	1-3/4	3641A40



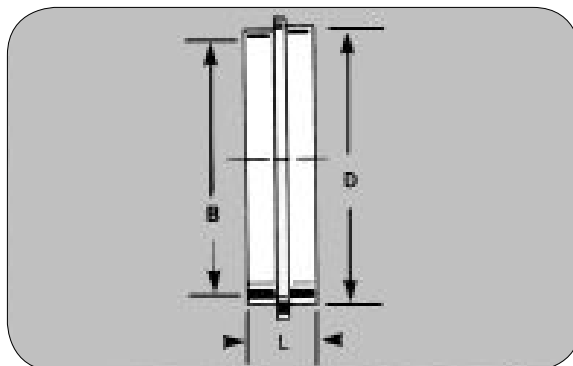
15TRFJP SHORT WELD FERRULE-JOHN PERRY (3A)

SIZE (TUBE O.D.)	D	B	L	STOCK NO.
1	1	.870	11/16	3642B10
1-1/2	1-1/2	1.370	23/32	3642B15
2	2	1.870	23/32	3642B20
2-1/2	2-1/2	2.370	27/32	3642B25
3	3	2.870	29/32	3642B30
4	4	3.834	1-7/32	3642B40



L15AJP THREADED TUBE FERRULE-JOHN PERRY (3A)

SIZE (TUBE O.D.)	D	B	L	STOCK NO.
1	1	.870	1-3/8	3642A10
1-1/2	1-1/2	1.370	1-1/2	3642A15
2	2	1.870	1-1/2	3642A20
2-1/2	2-1/2	2.370	1-3/4	3642A25
3	3	2.870	1-3/4	3642A30
4	4	3.834	1-3/4	3642A40



16AJP END CAP-JOHN PERRY (3A)

SIZE (TUBE O.D.)	D	B	L	STOCK NO.
1	1	1.325	15/32	366510
1-1/2	1-1/2	1.856	31/64	366515
2	2	2.387	17/32	366520
2-1/2	2-1/2	2.856	35/64	366525
3	3	3.387	39/64	366530
4	4	4.387	11/16	366540







# TOP LINE

PROCESS EQUIPMENT COMPANY

... the source for  
all your product needs  
in the process industries

Contact your Top Line Representative for Assistance

Office: P.O. Box 264 · Bradford, PA 16701

Plant: 21 Valley Hunt Drive · Lewis Run, PA 16738

800-458-6095

814-362-4626

Fax: 814-362-4453

## PUMPS & STRAINERS- Centrifugal, Rotary Lobe, Filters and Strainers



## VALVES - Manual, Actuated, Diaphragm



## FITTINGS - Clamp, Sanitary Butt Weld, Bevel Seat, Tube OD Butt weld, Custom, Biopharm



## TUBING, GAUGES, SIGHT GLASSES, BRAIDED HOSE



[www.toplineonline.com](http://www.toplineonline.com)