



## BPE Fittings



Engineered Fitting Solutions for  
High Purity Industries

# BPE Fittings

Top Line precision crafted automatic weld fittings provide reliable components which are designed for today's high speed automatic welding equipment. Automatic weld fittings are provided with sanitary finishes that meet or exceed pharmaceutical process specifications. Top Line fittings are manufactured to dimensional specifications per ASME BPE.



## BPE Fittings Specifications

Size Range: 1/2" OD through 6" OD

Materials: 316L (Stock No. Prefix 40) for Weld Connections  
316L (Stock No. Prefix 48) for Clamp Connections

Finish: No. 3 - 20RA ID/Mill OD (ASME BPE SF1)  
No. 3 EP - 15 RA ID Electropolish/Mill OD (ASME BPE SF4)  
No. 7 - 20RA ID/32RA OD (ASME BPE SF1)  
No. 7EP - 15RA ID Electropolish/32RA OD (ASME BPE SF4)  
No. 1 - Unpolished (ASME BPE SF0)  
10RA ID available

## Ordering Specifications

Specify:

- Quantity
- Size
- Product Description
- Stock Number
- Polish Requirements

## Example

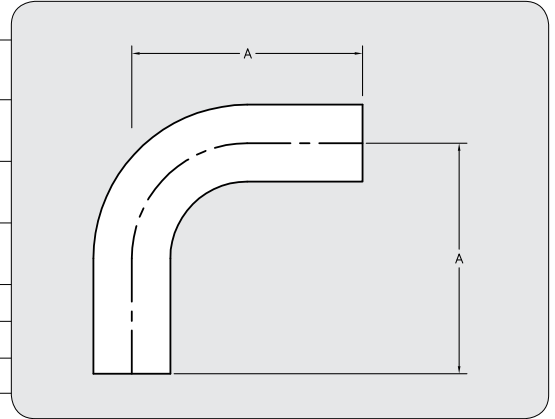
Quantity	Size	Product Description	Stock Number	Material Type	Polish
↓	↓	↓	↓	↓	↓
<u>3 Each</u>	<u>2"</u>	<u>TL2S-90°</u>	<u>40720-3</u>	<u>Type 316L</u>	<u>No. 3</u>

Please Note: -7 & -7EP parts are available, use these designations for suffix codes

### TL2S - 90° ELL

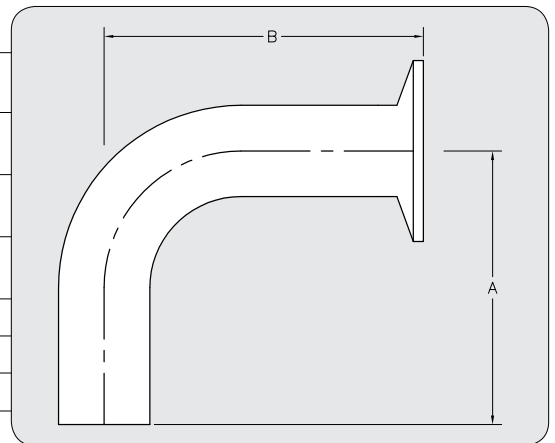
ASME BPE#  
DT-7

SIZE (TUBE O.D.)	A	STOCK NO. 20 RA ID	STOCK NO. 15 RA EP ID
1/2	3	40705 - 3	40705 - 3EP
3/4	3	40707 - 3	40707 - 3EP
1	3	40710 - 3	40710 - 3EP
1-1/2	3-3/4	40715 - 3	40715 - 3EP
2	4-3/4	40720 - 3	40720 - 3EP
2-1/2	5-1/2	40725 - 3	40725 - 3EP
3	6-1/4	40730 - 3	40730 - 3EP
4	8	40740 - 3	40740 - 3EP
6	11-1/2	40760 - 3	40760 - 3EP



### TL2CM - 90° ELL\*

SIZE (TUBE O.D.)	A	B	STOCK NO. 20 RA ID	STOCK NO. 15 RA EP ID
1/2	3	3-1/2	407M05 - 3	407M05 - 3EP
3/4	3	3-1/2	407M07 - 3	407M07 - 3EP
1	3	3-1/2	407M10 - 3	407M10 - 3EP
1-1/2	3-3/4	4-1/4	407M15 - 3	407M15 - 3EP
2	4-3/4	5-1/4	407M20 - 3	407M20 - 3EP
2-1/2	5-1/2	6	407M25 - 3	407M25 - 3EP
3	6-1/4	6-3/4	407M30 - 3	407M30 - 3EP
4	8	8-5/8	407M40 - 3	407M40 - 3EP
6	11-1/2	12-1/4	407M60 - 3	407M60 - 3EP

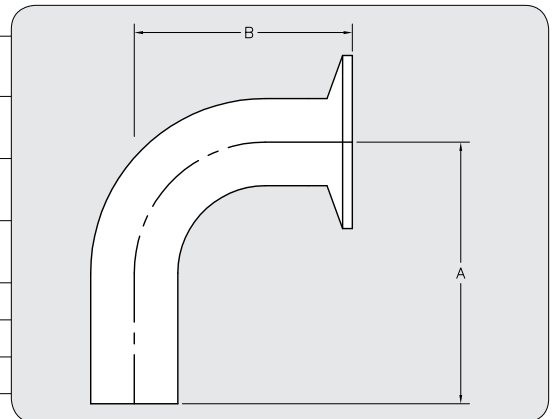


\* Not to BPE Dims.

### TL2CMS - 90° ELL

ASME BPE#  
DT-12

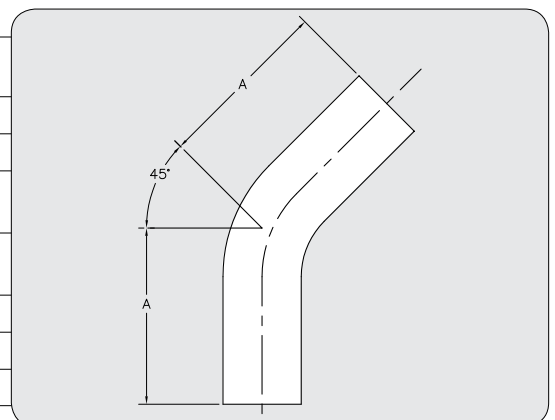
SIZE (TUBE O.D.)	A	B	STOCK NO. 20 RA ID	STOCK NO. 15 RA EP ID
1/2	3	1-5/8	407MS05 - 3	407MS05 - 3EP
3/4	3	1-5/8	407MS07 - 3	407MS07 - 3EP
1	3	2	407MS10 - 3	407MS10 - 3EP
1-1/2	3-3/4	2-3/4	407MS15 - 3	407MS15 - 3EP
2	4-3/4	3-1/2	407MS20 - 3	407MS20 - 3EP
2-1/2	5-1/2	4-1/4	407MS25 - 3	407MS25 - 3EP
3	6-1/4	5	407MS30 - 3	407MS30 - 3EP
4	8	6-5/8	407MS40 - 3	407MS40 - 3EP
6	11-1/2	10-1/2	407MS60 - 3	407MS60 - 3EP



### TL2KS - 45° ELL

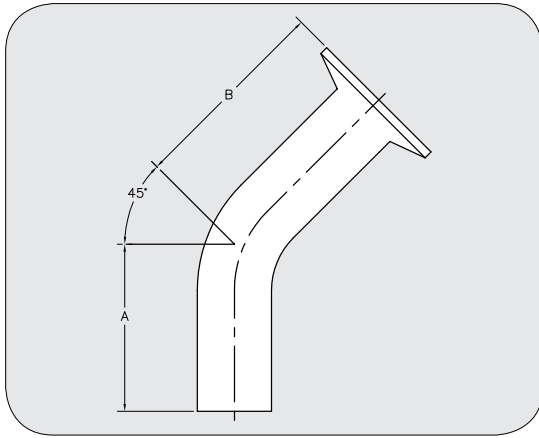
ASME BPE#  
DT-8

SIZE (TUBE O.D.)	A	STOCK NO. 20 RA ID	STOCK NO. 15 RA EP ID
1/2	2-1/4	40805 - 3	40805 - 3EP
3/4	2-1/4	40807 - 3	40807 - 3EP
1	2-1/4	40810 - 3	40810 - 3EP
1-1/2	2-1/2	40815 - 3	40815 - 3EP
2	3	40820 - 3	40820 - 3EP
2-1/2	3-3/8	40825 - 3	40825 - 3EP
3	3-5/8	40830 - 3	40830 - 3EP
4	4-1/2	40840 - 3	40840 - 3EP
6	6-1/4	40860 - 3	40860 - 3EP



# ELBOWS & TEES

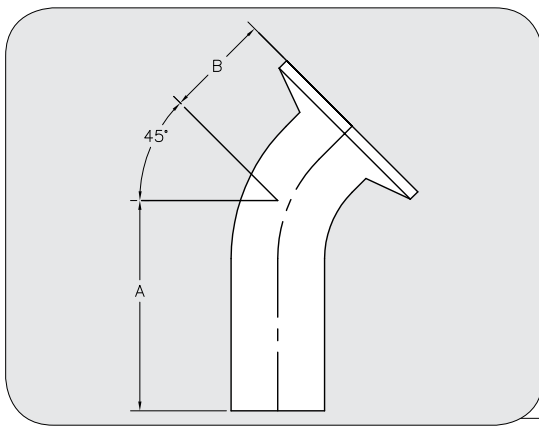
## BPE FITTINGS



TL2KM 45° ELL\*

SIZE (TUBE O.D.)	A	B	STOCK NO. 20 RA ID	STOCK NO. 15 RA EP ID
1/2	2-1/4	2-3/4	408M05 - 3	408M05 - 3EP
3/4	2-1/4	2-3/4	408M07 - 3	408M07 - 3EP
1	2-1/4	2-3/4	408M10 - 3	408M10 - 3EP
1-1/2	2-1/2	3	408M15 - 3	408M15 - 3EP
2	3	3-1/2	408M20 - 3	408M20 - 3EP
2-1/2	3-3/8	3-7/8	408M25 - 3	408M25 - 3EP
3	3-5/8	4-1/8	408M30 - 3	408M30 - 3EP
4	4-1/2	5-1/8	408M40 - 3	408M40 - 3EP
6	6-1/4	7	408M60 - 3	408M60 - 3EP

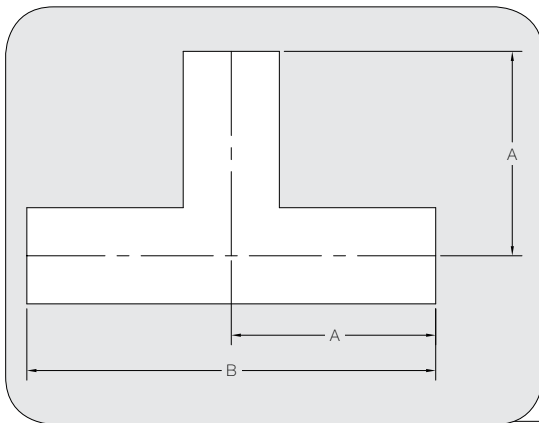
\* Not to BPE Dims.



TL2KMS 45° ELL

ASME BPE#  
DT-13

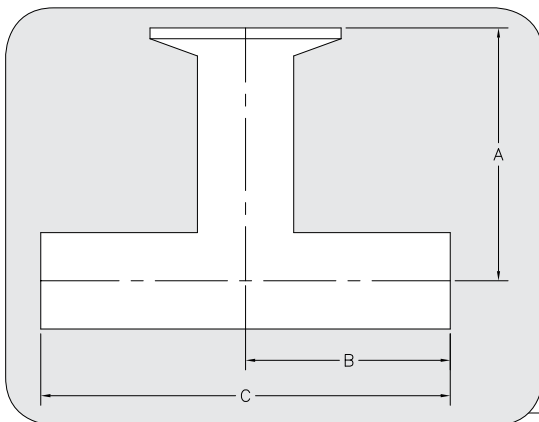
SIZE (TUBE O.D.)	A	B	STOCK NO. 20 RA ID	STOCK NO. 15 RA EP ID
1/2	2-1/4	1	408MS05 - 3	408MS05 - 3EP
3/4	2-1/4	1	408MS07 - 3	408MS07 - 3EP
1	2-1/4	1-1/8	408MS10 - 3	408MS10 - 3EP
1-1/2	2-1/2	1-7/16	408MS15 - 3	408MS15 - 3EP
2	3	1-3/4	408MS20 - 3	408MS20 - 3EP
2-1/2	3-3/8	2-1/16	408MS25 - 3	408MS25 - 3EP
3	3-5/8	2-3/8	408MS30 - 3	408MS30 - 3EP
4	4-1/2	3-1/8	408MS40 - 3	408MS40 - 3EP
6	6-1/4	5-1/4	408MS60 - 3	408MS60 - 3EP



TL7WWW TEE

ASME BPE#  
DT-9

SIZE (TUBE O.D.)	A	B	STOCK NO. 20 RA ID	STOCK NO. 15 RA EP ID
1/2	1-7/8	3-3/4	401105 - 3	401105 - 3EP
3/4	2	4	401107 - 3	401107 - 3EP
1	2-1/8	4-1/4	401110 - 3	401110 - 3EP
1-1/2	2-3/8	4-3/4	401115 - 3	401115 - 3EP
2	2-7/8	5-3/4	401120 - 3	401120 - 3EP
2-1/2	3-1/8	6-1/4	401125 - 3	401125 - 3EP
3	3-3/8	6-3/4	401130 - 3	401130 - 3EP
4	4-1/8	8-1/4	401140 - 3	401140 - 3EP
6	5-5/8	11-1/4	401160 - 3	401160 - 3EP

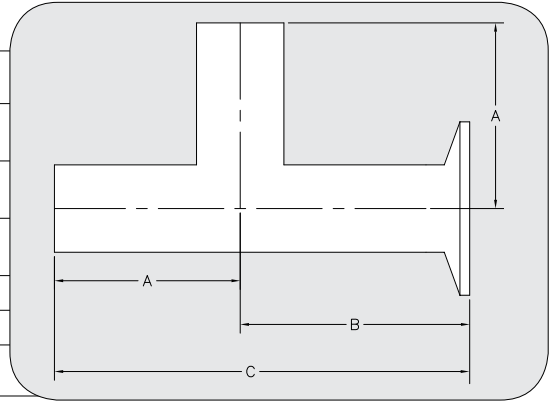


TL7WWM TEE

SIZE (TUBE O.D.)	A	B	C	STOCK NO. 20 RA ID	STOCK NO. 15 RA EP ID
1/2	2-3/8	1-7/8	3-3/4	4011MB05 - 3	4011MB05 - 3EP
3/4	2-1/2	2	4	4011MB07 - 3	4011MB07 - 3EP
1	2-5/8	2-1/8	4-1/4	4011MB10 - 3	4011MB10 - 3EP
1-1/2	2-7/8	2-3/8	4-3/4	4011MB15 - 3	4011MB15 - 3EP
2	3-3/8	2-7/8	5-3/4	4011MB20 - 3	4011MB20 - 3EP
2-1/2	3-5/8	3-1/8	6-1/4	4011MB25 - 3	4011MB25 - 3EP
3	3-7/8	3-3/8	6-3/4	4011MB30 - 3	4011MB30 - 3EP
4	4-3/4	4-1/8	8-1/4	4011MB40 - 3	4011MB40 - 3EP
6	6-3/8	5-5/8	11-1/4	4011MB60 - 3	4011MB60 - 3EP

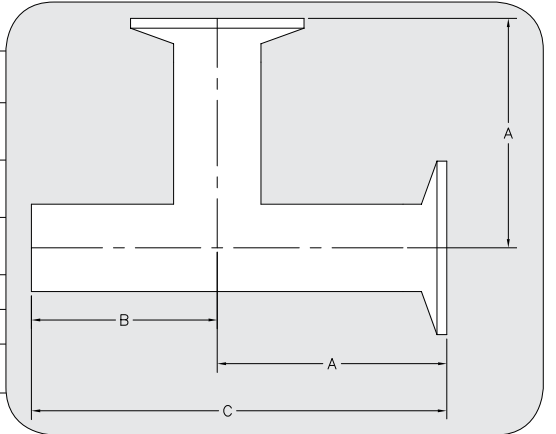
### TL7WMW TEE

SIZE (TUBE O.D.)	A	B	C	STOCK NO. 20 RA ID	STOCK NO. 15 RA EP ID
1/2	1-7/8	2-3/8	4-1/4	4011M05 - 3	4011M05 - 3EP
3/4	2	2-1/2	4-1/2	4011M07 - 3	4011M07 - 3EP
1	2-1/8	2-5/8	4-3/4	4011M10 - 3	4011M10 - 3EP
1-1/2	2-3/8	2-7/8	5-1/4	4011M15 - 3	4011M15 - 3EP
2	2-7/8	3-3/8	6-1/4	4011M20 - 3	4011M20 - 3EP
2-1/2	3-1/8	3-5/8	6-3/4	4011M25 - 3	4011M25 - 3EP
3	3-3/8	3-7/8	7-1/4	4011M30 - 3	4011M30 - 3EP
4	4-1/8	4-3/4	8-7/8	4011M40 - 3	4011M40 - 3EP
6	5-5/8	6-3/8	12	4011M60 - 3	4011M60 - 3EP



### TL7WMM TEE

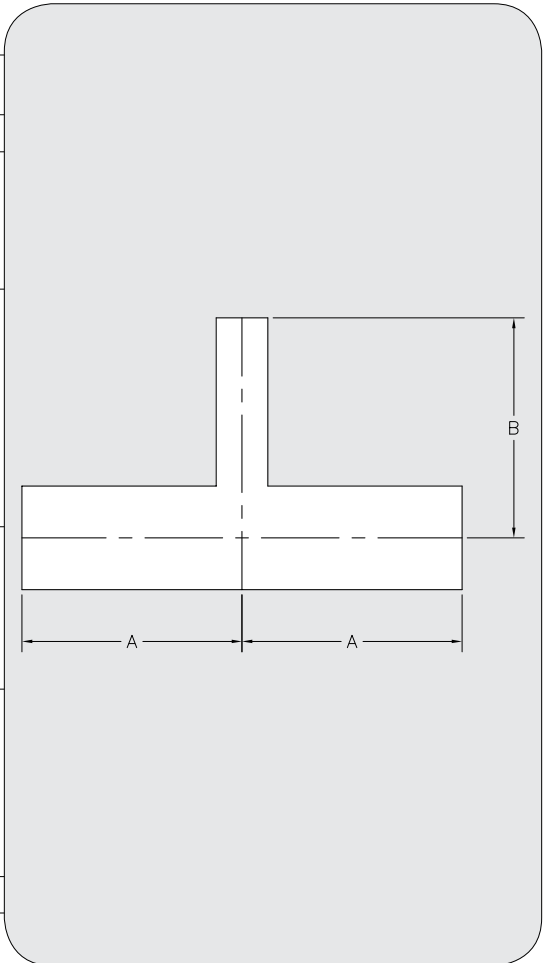
SIZE (TUBE O.D.)	A	B	C	STOCK NO. 20 RA ID	STOCK NO. 15 RA EP ID
1/2	2-3/8	1-7/8	4-1/4	4011MMB05 - 3	4011MMB05 - 3EP
3/4	2-1/2	2	4-1/2	4011MMB07 - 3	4011MMB07 - 3EP
1	2-5/8	2-1/8	4-3/4	4011MMB10 - 3	4011MMB10 - 3EP
1-1/2	2-7/8	2-3/8	5-1/4	4011MMB15 - 3	4011MMB15 - 3EP
2	3-3/8	2-7/8	6-1/4	4011MMB20 - 3	4011MMB20 - 3EP
2-1/2	3-5/8	3-1/8	6-3/4	4011MMB25 - 3	4011MMB25 - 3EP
3	3-7/8	3-3/8	7-1/4	4011MMB30 - 3	4011MMB30 - 3EP
4	4-3/4	4-1/8	8-7/8	4011MMB40 - 3	4011MMB40 - 3EP
6	6-3/8	5-5/8	12	4011MMB60 - 3	4011MMB60 - 3EP



### TL7RWWW REDUCING TEE

ASME BPE#  
DT-10

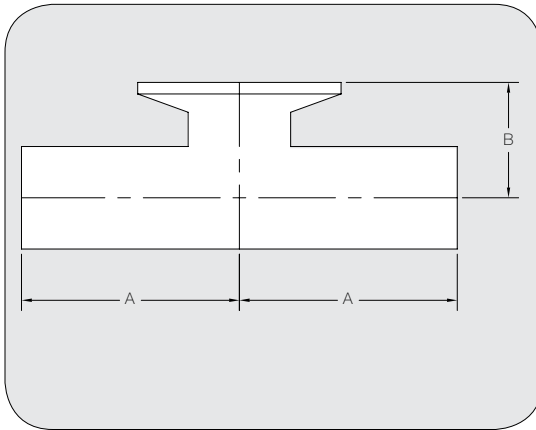
SIZE	A	B	STOCK NO. 20 RA ID	STOCK NO. 15 RA EP ID
3/4 X 1/2	2	2	401107R05 - 3	401107R05 - 3EP
1 X 1/2	2-1/8	2-1/8	401110R05 - 3	401110R05 - 3EP
1 X 3/4	2-1/8	2-1/8	401110R07 - 3	401110R07 - 3EP
1-1/2 X 1/2	2-3/8	2-3/8	401115R05 - 3	401115R05 - 3EP
1-1/2 X 3/4	2-3/8	2-3/8	401115R07 - 3	401115R07 - 3EP
1-1/2 X 1	2-3/8	2-3/8	401115R10 - 3	401115R10 - 3EP
2 X 1/2	2-7/8	2-5/8	401120R05 - 3	401120R05 - 3EP
2 X 3/4	2-7/8	2-5/8	401120R07 - 3	401120R07 - 3EP
2 X 1	2-7/8	2-5/8	401120R10 - 3	401120R10 - 3EP
2 X 1-1/2	2-7/8	2-5/8	401120R15 - 3	401120R15 - 3EP
2-1/2 X 1/2	3-1/8	2-7/8	401125R05 - 3	401125R05 - 3EP
2-1/2 X 3/4	3-1/8	2-7/8	401125R07 - 3	401125R07 - 3EP
2-1/2 X 1	3-1/8	2-7/8	401125R10 - 3	401125R10 - 3EP
2-1/2 X 1-1/2	3-1/8	2-7/8	401125R15 - 3	401125R15 - 3EP
2-1/2 X 2	3-1/8	2-7/8	401125R20 - 3	401125R20 - 3EP
3 X 1/2	3-3/8	3-1/8	401130R05 - 3	401130R05 - 3EP
3 X 3/4	3-3/8	3-1/8	401130R07 - 3	401130R07 - 3EP
3 X 1	3-3/8	3-1/8	401130R10 - 3	401130R10 - 3EP
3 X 1-1/2	3-3/8	3-1/8	401130R15 - 3	401130R15 - 3EP
3 X 2	3-3/8	3-1/8	401130R20 - 3	401130R20 - 3EP
3 X 2-1/2	3-3/8	3-1/8	401130R25 - 3	401130R25 - 3EP
4 X 1/2	4-1/8	3-5/8	401140R05 - 3	401140R05 - 3EP
4 X 3/4	4-1/8	3-5/8	401140R07 - 3	401140R07 - 3EP
4 X 1	4-1/8	3-5/8	401140R10 - 3	401140R10 - 3EP
4 X 1-1/2	4-1/8	3-5/8	401140R15 - 3	401140R15 - 3EP
4 X 2	4-1/8	3-7/8	401140R20 - 3	401140R20 - 3EP
4 X 2-1/2	4-1/8	3-7/8	401140R25 - 3	401140R25 - 3EP
4 X 3	4-1/8	3-7/8	401140R30 - 3	401140R30 - 3EP
6 X 4	5-5/8	5-1/8	401160R40 - 3	401160R40 - 3EP



ASME BPE#

TL7WWMS SHORT OUTLET TEE

DT-15



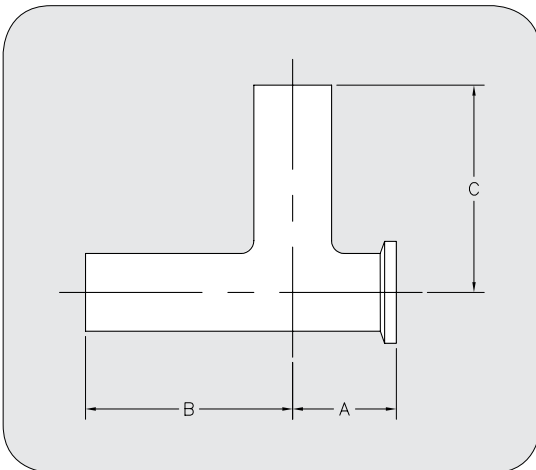
SIZE (TUBE O.D.)	A	B	STOCK NO. 20 RA ID	STOCK NO. 15 RA EP ID
1/2	1-7/8	1	401105S - 3*	401105S - 3EP*
3/4	2	1-1/8	401107S - 3	401107S - 3EP
1	2-1/8	1-1/8	401110S - 3*	401110S - 3EP*
1-1/2	2-3/8	1-3/8	401115S - 3*	401115S - 3EP*
2	2-7/8	1-5/8	401120S - 3	401120S - 3EP
2-1/2	3-1/8	1-7/8	401125S - 3	401125S - 3EP
3	3-3/8	2-1/8	401130S - 3*	401130S - 3EP*
4	4-1/8	2-3/4	401140S - 3*	401140S - 3EP*
6	5-5/8	4-5/8	401160S - 3*	401160S - 3EP*

\*DOES NOT MEET MINIMUM TANGENT LENGTHS IN ASME BPE TABLE DT-4

ASME BPE#

TL7WMSW SHORT OUTLET RUN TEE

DT-25



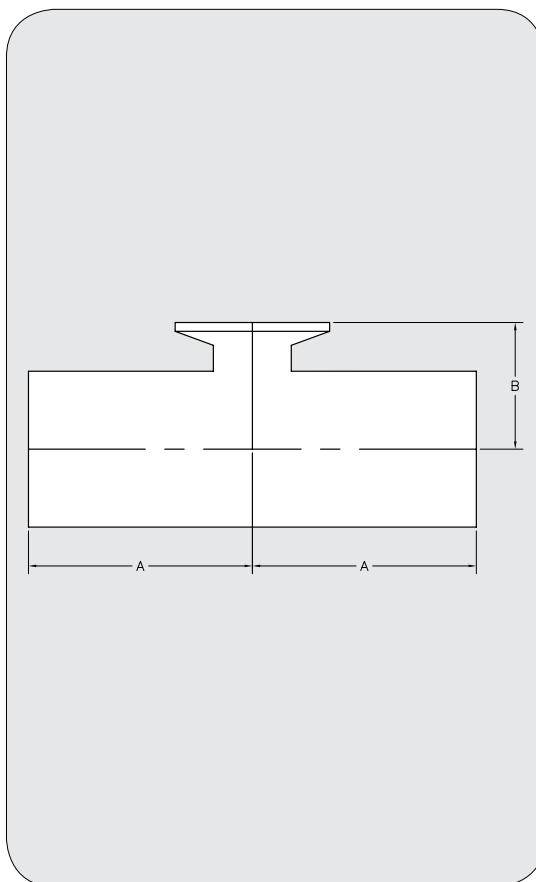
SIZE	A	B	C	STOCK NO. 20RA ID	STOCK NO. 1 5RA EP ID
1/4	7/8	1-3/4	1-3/4	4011MS02-3*	4011MS02-3EP*
3/8	7/8	1-3/4	1-3/4	4011MS03-3*	4011MS03-3EP*
1/2	7/8	1-7/8	1-7/8	4011MS05-3*	4011MS05-3EP*
3/4	1	2	2	4011MS07-3	4011MS07-3EP
1	1-1/8	2-1/8	2-1/8	4011MS10-3*	4011MS10-3EP*
1-1/2	1-3/8	2-3/8	2-3/8	4011MS15-3*	4011MS15-3EP*
2	1-5/8	2-5/8	2-5/8	4011MS20-3	4011MS20-3EP
2-1/2	1-7/8	3-1/8	3-1/8	4011MS25-3	4011MS25-3EP
3	2-1/8	3-7/8	3-7/8	4011MS30-3*	4011MS30-3EP*
4	2-3/4	4-1/8	4-1/8	4011MS40-3*	4011MS40-3EP*
6	4-5/8	5-5/8	5-5/8	4011MS60-3*	4011MS60-3EP*

\*DOES NOT MEET MINIMUM TANGENT LENGTHS IN ASME BPE TABLE DT-4

ASME BPE#

TL7RWWMS REDUCING SHORT OUTLET TEE

DT-14



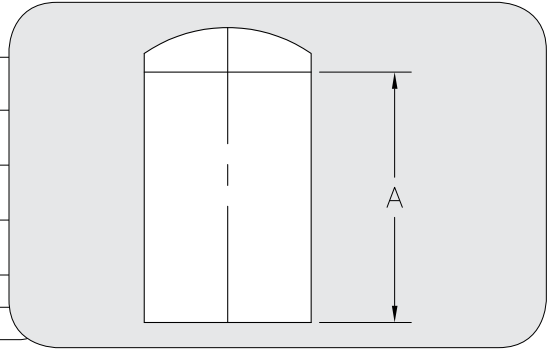
SIZE	A	B	STOCK NO. 20 RA ID	STOCK NO. 15 RA EP ID
3/4 X 1/2	2	1	401107RS05 - 3	401107RS05 - 3EP
1 X 1/2	2-1/8	1-1/8	401110RS05 - 3	401110RS05 - 3EP
1 X 3/4	2-1/8	1-1/8	401110RS07 - 3	401110RS07 - 3EP
1-1/2 X 1/2	2-3/8	1-3/8	401115RS05 - 3	401115RS05 - 3EP
1-1/2 X 3/4	2-3/8	1-3/8	401115RS07 - 3	401115RS07 - 3EP
1-1/2 X 1	2-3/8	1-3/8	401115RS10 - 3*	401115RS10 - 3EP*
2 X 1/2	2-7/8	1-5/8	401120RS05 - 3	401120RS05 - 3EP
2 X 3/4	2-7/8	1-5/8	401120RS07 - 3	401120RS07 - 3EP
2 X 1	2-7/8	1-5/8	401120RS10 - 3	401120RS10 - 3EP
2 X 1-1/2	2-7/8	1-5/8	401120RS15 - 3	401120RS15 - 3EP
2-1/2 X 1/2	3-1/8	1-7/8	401125RS05 - 3	401125RS05 - 3EP
2-1/2 X 3/4	3-1/8	1-7/8	401125RS07 - 3	401125RS07 - 3EP
2-1/2 X 1	3-1/8	1-7/8	401125RS10 - 3	401125RS10 - 3EP
2-1/2 X 1-1/2	3-1/8	1-7/8	401125RS15 - 3	401125RS15 - 3EP
2-1/2 X 2	3-1/8	1-7/8	401125RS20 - 3	401125RS20 - 3EP
3 X 1/2	3-3/8	2-1/8	401130RS05 - 3	401130RS05 - 3EP
3 X 3/4	3-3/8	2-1/8	401130RS07 - 3	401130RS07 - 3EP
3 X 1	3-3/8	2-1/8	401130RS10 - 3	401130RS10 - 3EP
3 X 1-1/2	3-3/8	2-1/8	401130RS15 - 3	401130RS15 - 3EP
3 X 2	3-3/8	2-1/8	401130RS20 - 3	401130RS20 - 3EP
3 X 2-1/2	3-3/8	2-1/8	401130RS25 - 3	401130RS25 - 3EP
4 X 1/2	4-1/8	2-5/8	401140RS05 - 3	401140RS05 - 3EP
4 X 3/4	4-1/8	2-5/8	401140RS07 - 3	401140RS07 - 3EP
4 X 1	4-1/8	2-5/8	401140RS10 - 3	401140RS10 - 3EP
4 X 1-1/2	4-1/8	2-5/8	401140RS15 - 3	401140RS15 - 3EP
4 X 2	4-1/8	2-5/8	401140RS20 - 3	401140RS20 - 3EP
4 X 2-1/2	4-1/8	2-5/8	401140RS25 - 3	401140RS25 - 3EP
4 X 3	4-1/8	2-5/8	401140RS30 - 3	401140RS30 - 3EP
6 X 4	5-5/8	3-3/4	401160RS40 - 3	401160RS40 - 3EP

\*DOES NOT MEET MINIMUM TANGENT LENGTHS IN ASME BPE TABLE DT-4

### TL16W CAP

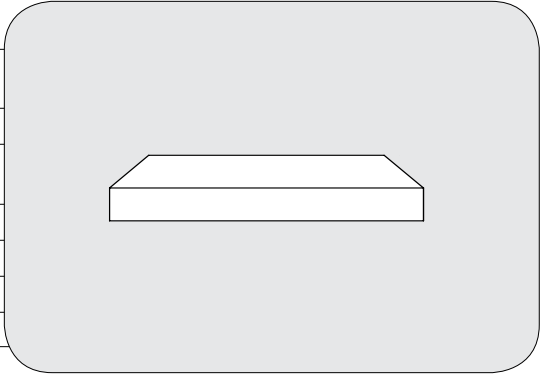
ASME BPE#  
DT-30

SIZE (TUBE O.D.)	A	STOCK NO. 20 RA ID	STOCK NO. 15 RA EP ID
1/2	1-1/2	4031605 - 3	4031605 - 3EP
3/4	1-1/2	4031607 - 3	4031607 - 3EP
1	1-1/2	4031610 - 3	4031610 - 3EP
1-1/2	1-1/2	4031615 - 3	4031615 - 3EP
2	1-1/2	4031620 - 3	4031620 - 3EP
2-1/2	1-1/2	4031625 - 3	4031625 - 3EP
3	1-3/4	4031630 - 3	4031630 - 3EP
4	2	4031640 - 3	4031640 - 3EP



### 16AMP - SOLID END CAP\*

SIZE	STOCK NO. 20 RA ID	STOCK NO. 15 RA EP ID
1/2 & 3/4	489807-3	489807-3EP
1 & 1-1/2	489815-3	489815-3EP
2	489820-3	489820-3EP
2-1/2	489825-3	489825-3EP
3	489830-3	489830-3EP
4	489840-3	489840-3EP
6	489860-3	489860-3EP

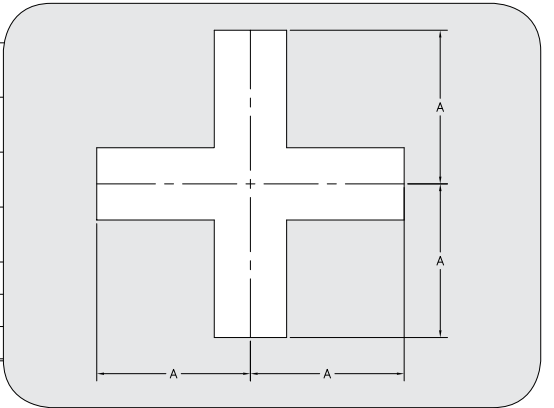


\* Not a BPE fitting

### TL9WWWWW CROSS

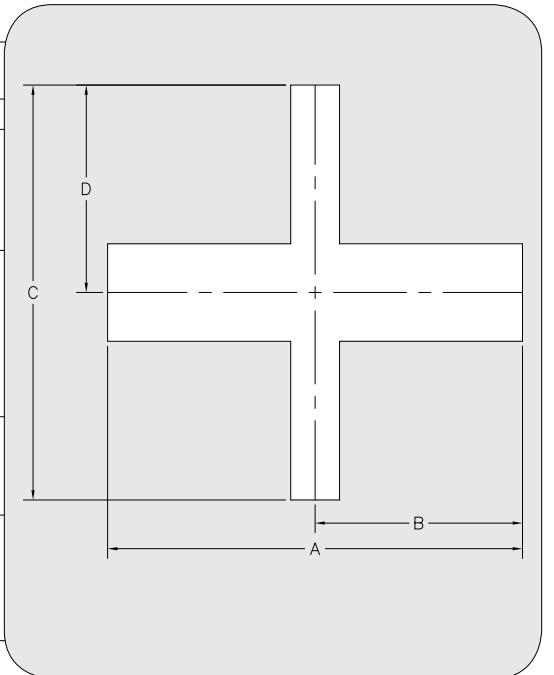
ASME BPE#  
DT-9

SIZE (TUBE O.D.)	A	STOCK NO. 20 RA ID	STOCK NO. 15 RA EP ID
1/2	1-7/8	4011405 - 3	4011405 - 3EP
3/4	2	4011407 - 3	4011407 - 3EP
1	2-1/8	4011410 - 3	4011410 - 3EP
1-1/2	2-3/8	4011415 - 3	4011415 - 3EP
2	2-7/8	4011420 - 3	4011420 - 3EP
2-1/2	3-1/8	4011425 - 3	4011425 - 3EP
3	3-3/8	4011430 - 3	4011430 - 3EP
4	4-1/8	4011440 - 3	4011440 - 3EP
6	5-5/8	4011460 - 3	4011460 - 3EP



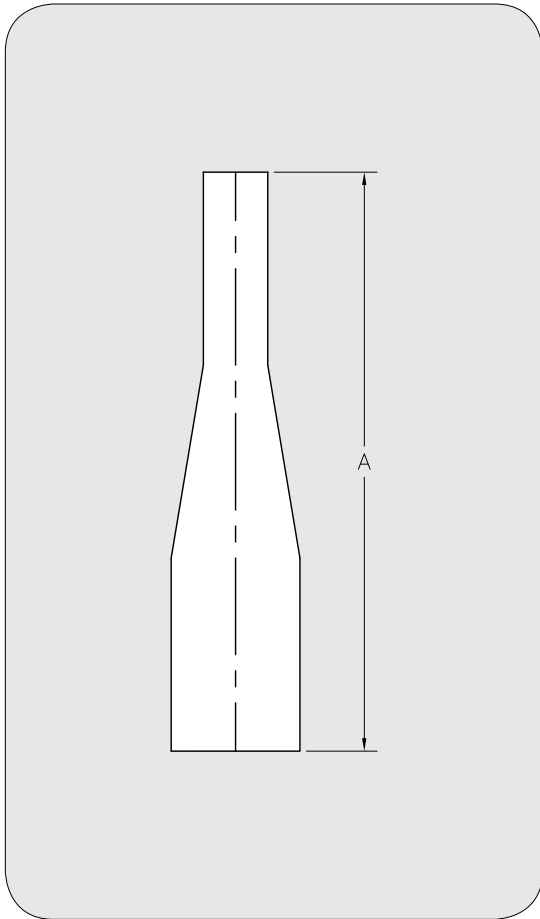
### TL9RWWWWW REDUCING CROSS

SIZE (TUBE O.D.)	A	B	C	D	STOCK NO. 20 RA ID	STOCK NO. 15 RA EP ID
3/4 X 1/2	4-1/4	2-1/8	4-1/4	2-1/8	4011407R05 - 3	4011407R05 - 3EP
1 X 1/2	4-1/4	2-1/8	4-1/4	2-1/8	4011410R05 - 3	4011410R05 - 3EP
1 X 3/4	4-1/4	2-1/8	4-1/4	2-1/8	4011410R07 - 3	4011410R07 - 3EP
1-1/2 X 1/2	4-3/4	2-3/8	4-3/4	2-3/8	4011415R05 - 3	4011415R05 - 3EP
1-1/2 X 3/4	4-3/4	2-3/8	4-3/4	2-3/8	4011415R07 - 3	4011415R07 - 3EP
1-1/2 X 1	4-3/4	2-3/8	4-3/4	2-3/8	4011415R10 - 3	4011415R10 - 3EP
2 X 1/2	5-3/4	2-7/8	5-1/4	2-5/8	4011420R05 - 3	4011420R05 - 3EP
2 X 3/4	5-3/4	2-7/8	5-1/4	2-5/8	4011420R07 - 3	4011420R07 - 3EP
2 X 1	5-3/4	2-7/8	5-1/4	2-5/8	4011420R10 - 3	4011420R10 - 3EP
2 X 1-1/2	5-3/4	2-7/8	5-1/4	2-5/8	4011420R15 - 3	4011420R15 - 3EP
2-1/2 X 1	6-1/4	3-1/8	5-3/4	2-7/8	4011425R10 - 3	4011425R10 - 3EP
2-1/2 X 1-1/2	6-1/4	3-1/8	5-3/4	2-7/8	4011425R15 - 3	4011425R15 - 3EP
2-1/2 X 2	6-1/4	3-1/8	5-3/4	2-7/8	4011425R20 - 3	4011425R20 - 3EP
3 X 1	6-3/4	3-3/8	6-1/4	3-1/8	4011430R10 - 3	4011430R10 - 3EP
3 X 1-1/2	6-3/4	3-3/8	6-1/4	3-1/8	4011430R15 - 3	4011430R15 - 3EP
3 X 2	6-3/4	3-3/8	6-1/4	3-1/8	4011430R20 - 3	4011430R20 - 3EP
3 X 2-1/2	6-3/4	3-3/8	6-1/4	3-1/8	4011430R25 - 3	4011430R25 - 3EP
4 X 1	8-1/4	4-1/8	7-1/4	3-5/8	4011440R10 - 3	4011440R10 - 3EP
4 X 1-1/2	8-1/4	4-1/8	7-1/4	3-5/8	4011440R15 - 3	4011440R15 - 3EP
4 X 2	8-1/4	4-1/8	7-3/4	3-7/8	4011440R20 - 3	4011440R20 - 3EP
4 X 2-1/2	8-1/4	4-1/8	7-3/4	3-7/8	4011440R25 - 3	4011440R25 - 3EP
4 X 3	8-1/4	4-1/8	7-3/4	3-7/8	4011440R30 - 3	4011440R30 - 3EP

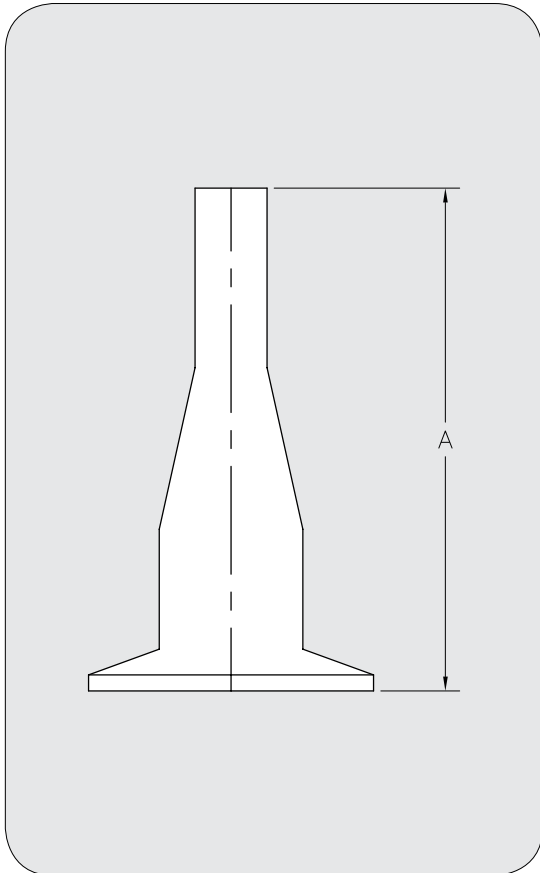


# REDUCERS

## BPE FITTINGS



TL31 CONCENTRIC REDUCER			ASME BPE# DT-11
SIZE	A	STOCK NO. 20 RA ID	STOCK NO. 15 RA EP ID
3/4 X 1/2	4	401160705 - 3	401160705 - 3EP
1 X 1/2	4-1/2	401161005 - 3	401161005 - 3EP
1 X 3/4	4	401161007 - 3	401161007 - 3EP
1-1/2 X 1/2	5-1/2	401161505 - 3	401161505 - 3EP
1-1/2 X 3/4	5	401161507 - 3	401161507 - 3EP
1-1/2 X 1	5	401161510 - 3	401161510 - 3EP
2 X 1/2	7-3/4	401162005 - 3	401162005 - 3EP
2 X 3/4	7-1/4	401162007 - 3	401162007 - 3EP
2 X 1	7-1/4	401162010 - 3	401162010 - 3EP
2 X 1-1/2	5-1/4	401162015 - 3	401162015 - 3EP
2-1/2 X 1/2	9-3/4	401162505 - 3	401162505 - 3EP
2-1/2 X 3/4	9-1/4	401162507 - 3	401162507 - 3EP
2-1/2 X 1	9-1/4	401162510 - 3	401162510 - 3EP
2-1/2 X 1-1/2	7-1/4	401162515 - 3	401162515 - 3EP
2-1/2 X 2	5-1/2	401162520 - 3	401162520 - 3EP
3 X 1	11-1/4	401163010 - 3	401163010 - 3EP
3 X 1-1/2	9-1/4	401163015 - 3	401153015 - 3EP
3 X 2	7-1/2	401163020 - 3	401163020 - 3EP
3 X 2-1/2	5-1/2	401163025 - 3	401163025 - 3EP
4 X 1	15-1/2	401164010 - 3	401164010 - 3EP
4 X 1-1/2	13-1/2	401164015 - 3	401164015 - 3EP
4 X 2	11-3/4	401164020 - 3	401164020 - 3EP
4 X 2-1/2	9-3/4	401164025 - 3	401164025 - 3EP
4 X 3	7-3/4	401164030 - 3	401164030 - 3EP
6 X 4	10	401166040 - 3	401166040 - 3EP



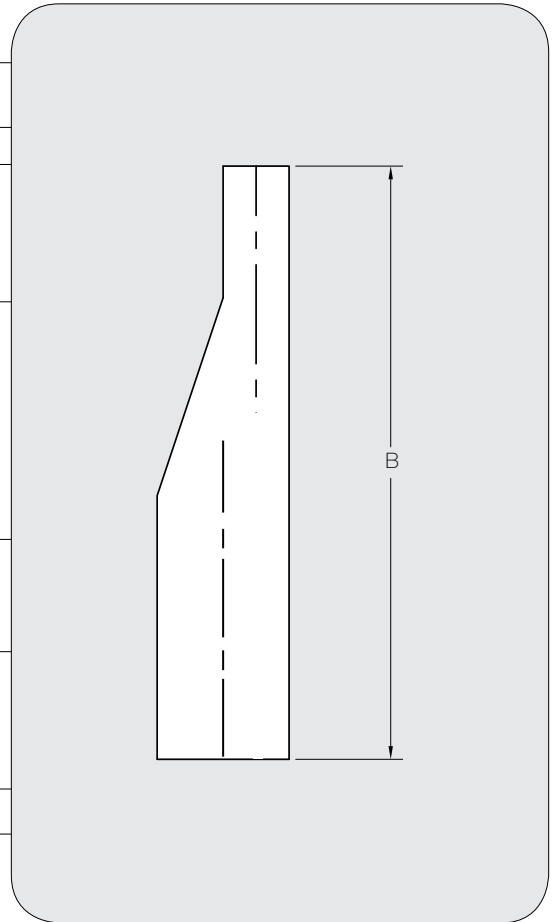
TL31M CONCENTRIC REDUCER			ASME BPE# DT-26
SIZE	A	STOCK NO. 20 RA ID	STOCK NO. 15 RA EP ID
3/4 X 1/2	3	40116M0705 - 3	40116M0705 - 3EP
1 X 1/2	3-1/2	40116M1005 - 3	40116M1005 - 3EP
1 X 3/4	3	40116M1007 - 3	40116M1007 - 3EP
1-1/2 X 1/2	4-1/2	40116M1505 - 3	40116M1505 - 3EP
1-1/2 X 3/4	4	40116M1507 - 3	40116M1507 - 3EP
1-1/2 X 1	4	40116M1510 - 3	40116M1510 - 3EP
2 X 1/2	6-1/2	40116M2005 - 3	40116M2005 - 3EP
2 X 3/4	6	40116M2007 - 3	40116M2007 - 3EP
2 X 1	6	40116M2010 - 3	40116M2010 - 3EP
2 X 1-1/2	4	40116M2015 - 3	40116M2015 - 3EP
2-1/2 X 1/2	8-1/2	40116M2505 - 3	40116M2505 - 3EP
2-1/2 X 3/4	8	40116M2507 - 3	40116M2507 - 3EP
2-1/2 X 1	8	40116M2510 - 3	40116M2510 - 3EP
2-1/2 X 1-1/2	6	40116M2515 - 3	40116M2515 - 3EP
2-1/2 X 2	4-1/4	40116M2520 - 3	40116M2520 - 3EP
3 X 1	10	40116M3010 - 3	40116M3010 - 3EP
3 X 1-1/2	8	40116M3015 - 3	40116M3015 - 3EP
3 X 2	6-1/4	40116M3020 - 3	40116M3020 - 3EP
3 X 2-1/2	4-1/4	40116M3025 - 3	40116M3025 - 3EP
4 X 1	14-1/8	40116M4010 - 3	40116M4010 - 3EP
4 X 1-1/2	12-1/8	40116M4015 - 3	40116M4015 - 3EP
4 X 2	10-3/8	40116M4020 - 3	40116M4020 - 3EP
4 X 2-1/2	8-3/8	40116M4025 - 3	40116M4025 - 3EP
4 X 3	6-3/8	40116M4030 - 3	40116M4030 - 3EP
6 X 4	9	40116M6040 - 3	40116M6040 - 3EP



### TL32 ECCENTRIC REDUCER

ASME BPE#  
DT-11

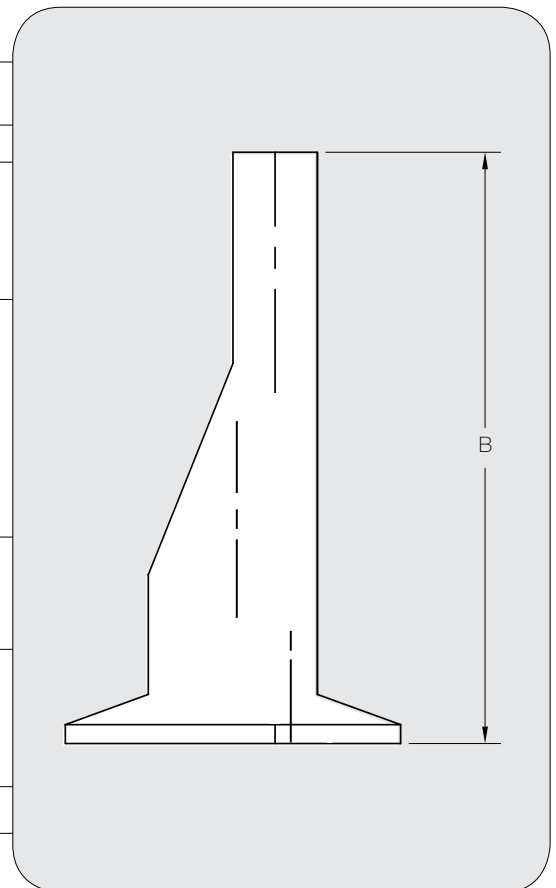
SIZE	B	STOCK NO. 20 RA ID	STOCK NO. 15 RA EP ID
3/4 X 1/2	4	401220705 - 3	401220705 - 3EP
1 X 1/2	4-1/2	401221005 - 3	401221005 - 3EP
1 X 3/4	4	401221007 - 3	401221007 - 3EP
1-1/2 X 1/2	5-1/2	401221505 - 3	401221505 - 3EP
1-1/2 X 3/4	5	401221507 - 3	401221507 - 3EP
1-1/2 X 1	5	401221510 - 3	401221510 - 3EP
2 X 1/2	7-3/4	401222005 - 3	401222005 - 3EP
2 X 3/4	7-1/4	401222007 - 3	401222007 - 3EP
2 X 1	7-1/4	401222010 - 3	401222010 - 3EP
2 X 1-1/2	5-1/4	401222015 - 3	401222015 - 3EP
2-1/2 X 1/2	9-3/4	401222505 - 3	401222505 - 3EP
2-1/2 X 3/4	9-1/4	401222507 - 3	401222507 - 3EP
2-1/2 X 1	9-1/4	401222510 - 3	401222510 - 3EP
2-1/2 X 1-1/2	7-1/4	401222515 - 3	401222515 - 3EP
2-1/2 X 2	5-1/2	401222520 - 3	401222520 - 3EP
3 X 1	11-1/4	401223010 - 3	401223010 - 3EP
3 X 1-1/2	9-1/4	401223015 - 3	401223015 - 3EP
3 X 2	7-1/2	401223020 - 3	401223020 - 3EP
3 X 2-1/2	5-1/2	401223025 - 3	401223025 - 3EP
4 X 1	15-1/2	401224010 - 3	401224010 - 3EP
4 X 1-1/2	13-1/2	401224015 - 3	401224010 - 3EP
4 X 2	11-3/4	401224020 - 3	401224020 - 3EP
4 X 2-1/2	9-3/4	401224025 - 3	401224025 - 3EP
4 X 3	7-3/4	401224030 - 3	401224030 - 3EP
6 X 4	10	401226040 - 3	401226040 - 3EP



### TL32M ECCENTRIC REDUCER

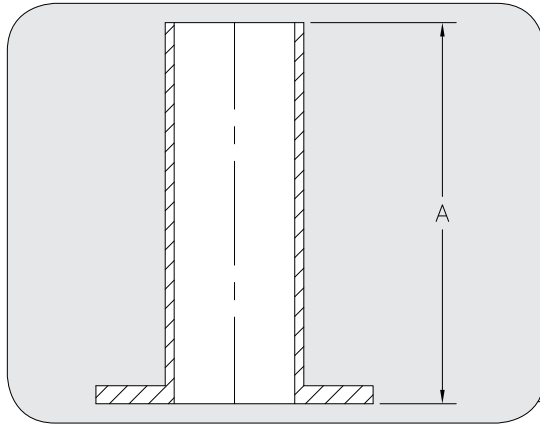
ASME BPE#  
DT-26

SIZE	B	STOCK NO. 20 RA ID	STOCK NO. 15 RA EP ID
3/4 X 1/2	3	40122M0705 - 3	40122M0705 - 3EP
1 X 1/2	3-1/2	40122M1005 - 3	40122M1005 - 3EP
1 X 3/4	3	40122M1007 - 3	40122M1007 - 3EP
1-1/2 X 1/2	4-1/2	40122M1505 - 3	40122M1505 - 3EP
1-1/2 X 3/4	4	40122M1507 - 3	40122M1507 - 3EP
1-1/2 X 1	4	40122M1510 - 3	40122M1510 - 3EP
2 X 1/2	6-1/2	40122M2005 - 3	40122M2005 - 3EP
2 X 3/4	6	40122M2007 - 3	40122M2007 - 3EP
2 X 1	6	40122M2010 - 3	40122M2010 - 3EP
2 X 1-1/2	4	40122M2015 - 3	40122M2015 - 3EP
2-1/2 X 1/2	8-1/2	40122M2505 - 3	40122M2505 - 3EP
2-1/2 X 3/4	8	40122M2507 - 3	40122M2507 - 3EP
2-1/2 X 1	8	40122M2510 - 3	40122M2510 - 3EP
2-1/2 X 1-1/2	6	40122M2515 - 3	40122M2515 - 3EP
2-1/2 X 2	4-1/4	40122M2520 - 3	40122M2520 - 3EP
3 X 1	10	40122M3010 - 3	40122M3010 - 3EP
3 X 1-1/2	8	40122M3015 - 3	40122M3015 - 3EP
3 X 2	6-1/4	40122M3020 - 3	40122M3020 - 3EP
3 X 2-1/2	4-1/4	40122M3025 - 3	40122M3025 - 3EP
4 X 1	14-1/8	40122M4010 - 3	40122M4010 - 3EP
4 X 1-1/2	12-1/8	40122M4015 - 3	40122M4015 - 3EP
4 X 2	10-3/8	40122M4020 - 3	40122M4020 - 3EP
4 X 2-1/2	8-3/8	40122M4025 - 3	40122M4025 - 3EP
4 X 3	6-3/8	40122M4030 - 3	40122M4030 - 3EP
6 X 4	9	40122M6040 - 3	40122M6040 - 3EP



## STUB ENDS & ELBOWS

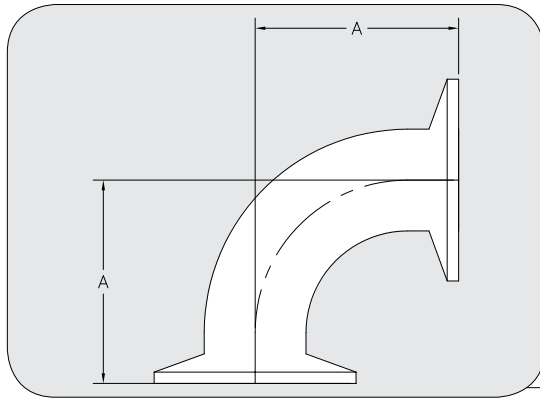
### BPE FITTINGS



TL14VB STUB END\*

SIZE (TUBE O.D.)	A	STOCK NO. 20 RA ID	STOCK NO. 15 RA EP ID
1/2	2	4030705 - 3LS	4030705 - 3LSEP
3/4	2	4030707 - 3LS	4030707 - 3LSEP
1	2-3/4	4030710 - 3LS	4030710 - 3LSEP
1-1/2	2-3/4	4030715 - 3LS	4030715 - 3LSEP
2	2-3/4	4030720 - 3LS	4030720 - 3LSEP
2-1/2	2-3/4	4030725 - 3LS	4030725 - 3LSEP
3	2-3/4	4030730 - 3LS	4030730 - 3LSEP
4	2-3/4	4030740 - 3LS	4030740 - 3LSEP
6	4	4030760 - 3LS	4030760 - 3LSEP

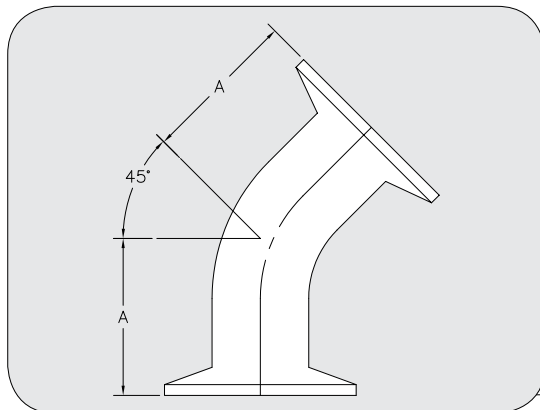
Clamp flange face is photographed \* **Not a BPE fitting**



2CMP - 90° ELL

ASME BPE#  
DT-16

SIZE	A	STOCK NO. 20 RA ID	STOCK NO. 15 RA EP ID
1/2	1-5/8	48705-3	48705-3EP
3/4	1-5/8	48707-3	48707-3EP
1	2	48710-3	48710-3EP
1-1/2	2-3/4	48715-3	48715-3EP
2	3-1/2	48720-3	48720-3EP
2-1/2	4-1/4	48725-3	48725-3EP
3	5	48730-3	48730-3EP
4	6-5/8	48740-3	48740-3EP
6	10-1/2	48760-3	48760-3EP



2KMP - 45° ELL

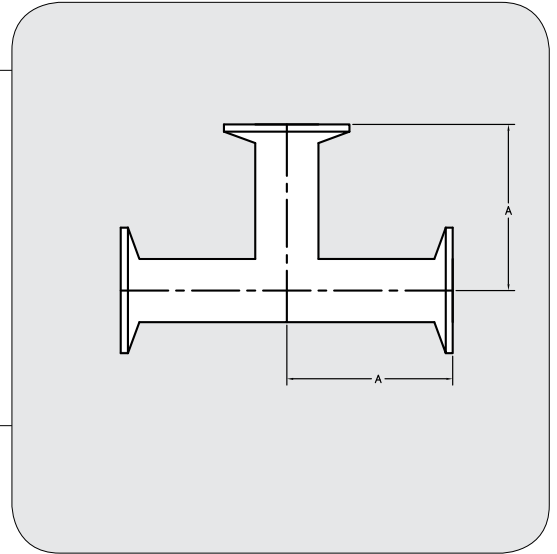
ASME BPE#  
DT-17

SIZE	A	STOCK NO. 20 RA ID	STOCK NO. 15 RA EP ID
1/2	1	48805-3	48805-3EP
3/4	1	48807-3	48807-3EP
1	1-1/8	48810-3	48810-3EP
1-1/2	1-7/16	48815-3	48815-3EP
2	1-3/4	48820-3	48820-3EP
2-1/2	2-1/16	48825-3	48825-3EP
3	2-3/8	48830-3	48830-3EP
4	3-1/8	48840-3	48840-3EP
6	5-1/4	48860-3	48860-3EP

### 7MP STRAIGHT TEE

ASME BPE#  
DT-18

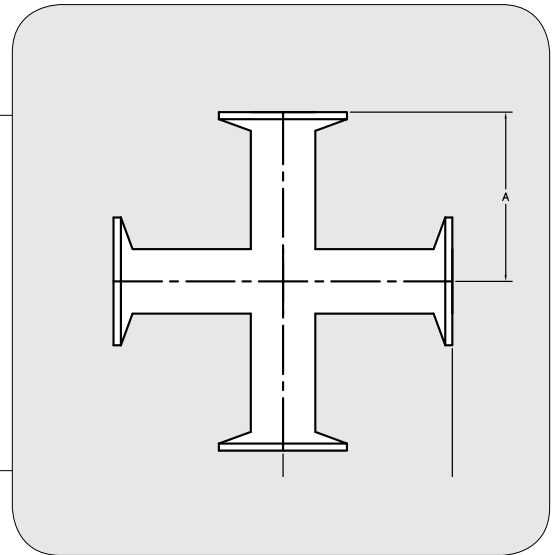
SIZE	A	STOCK NO. 20 RA ID	STOCK NO. 15 RA EP ID
1/2	2 1/4	481105-3	481105-3EP
3/4	2 3/8	481107-3	481107-3EP
1	2 5/8	481110-3	481110-3EP
1 1/2	2 7/8	481115-3	481115-3EP
2	3 3/8	481120-3	481120-3EP
2 1/2	3 5/8	481125-3	481125-3EP
3	3 7/8	481130-3	481130-3EP
4	4 3/4	481140-3	481140-3EP
6	7 1/8	481160-3	481160-3EP



### 9MP CROSS

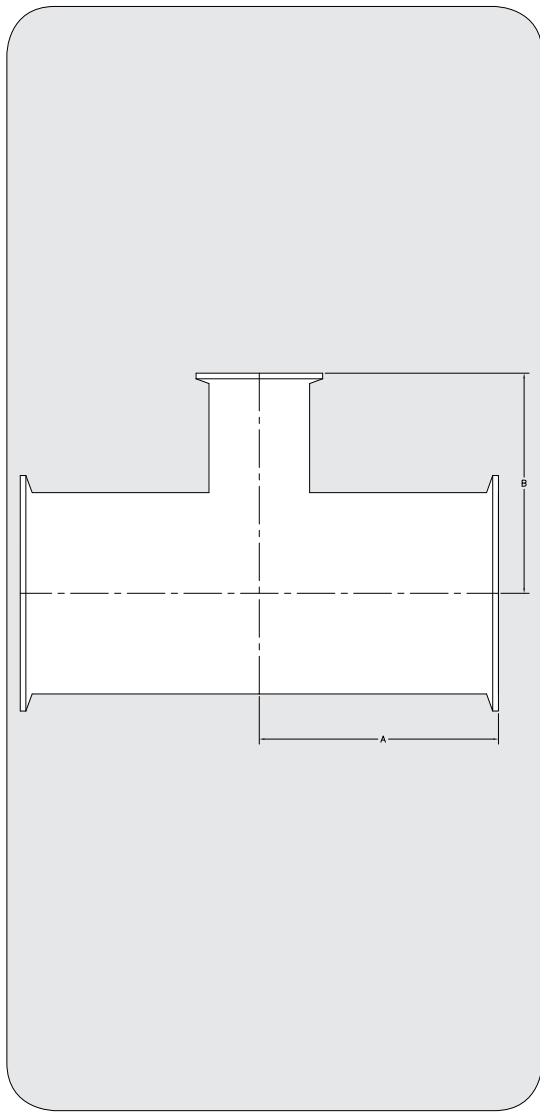
ASME BPE#  
DT-18

SIZE	A	STOCK NO. 20 RA ID	STOCK NO. 15 RA EP ID
1/2	2 1/4	4810105-3	4810105-3EP
3/4	2 3/8	4810107-3	4810107-3EP
1	2 5/8	4810110-3	4810110-3EP
1 1/2	2 7/8	4810115-3	4810115-3EP
2	3 3/8	4810120-3	4810120-3EP
2 1/2	3 5/8	4810125-3	4810125-3EP
3	3 7/8	4810130-3	4810130-3EP
4	4 3/4	4810140-3	4810140-3EP
6	7 1/8	4810160-3	4810160-3EP



# TEES

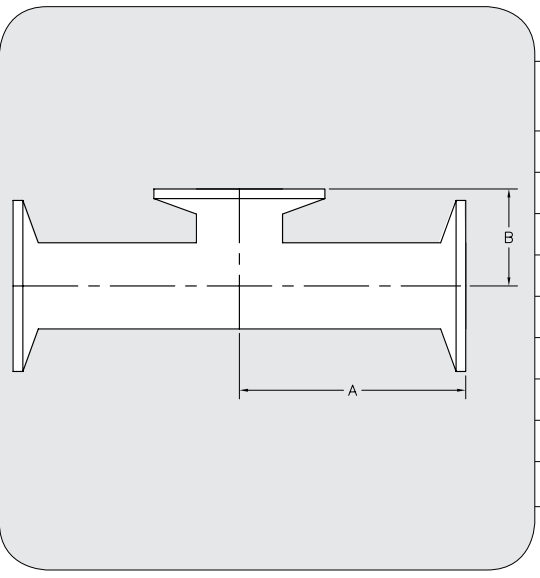
## BPE FITTINGS



### 7RMP REDUCING TEE

ASME BPE#  
DT-19

SIZE	A	B	STOCK NO. 20 RA ID	STOCK NO. 15 RA EP ID
3/4 X 1/2	2-1/2	2-1/2	481107R05-3	481107R05-3EP
1 X 1/2	2-5/8	2-5/8	481110R05-3	481110R05-3EP
1 X 3/4	2-5/8	2-5/8	481110R07-3	481110R07-3EP
1-1/2 X 1/2	2-7/8	2-7/8	481115R05-3	481115R05-3EP
1-1/2 X 3/4	2-7/8	2-7/8	481115R07-3	481115R07-3EP
1-1/2 X 1	2-7/8	2-7/8	481115R10-3	481115R10-3EP
2 X 1/2	3-3/8	3-1/8	481120R05-3	481120R05-3EP
2 X 3/4	3-3/8	3-1/8	481120R07-3	481120R07-3EP
2 X 1	3-3/8	3-1/8	481120R10-3	481120R10-3EP
2 X 1-1/2	3-3/8	3-1/8	481120R15-3	481120R15-3EP
2-1/2 X 1/2	3-5/8	3-3/8	481125R05-3	481125R05-3EP
2-1/2 X 3/4	3-5/8	3-3/8	481125R07-3	481125R07-3EP
2-1/2 X 1	3-5/8	3-3/8	481125R10-3	481125R10-3EP
2-1/2 X 1-1/2	3-5/8	3-3/8	481125R15-3	481125R15-3EP
2-1/2 X 2	3-5/8	3-3/8	481125R20-3	481125R20-3EP
3 X 1/2	3-7/8	3-5/8	481130R05-3	481130R05-3EP
3 X 3/4	3-7/8	3-5/8	481130R07-3	481130R07-3EP
3 X 1	3-7/8	3-5/8	481130R10-3	481130R10-3EP
3 X 1-1/2	3-7/8	3-5/8	481130R15-3	481130R15-3EP
3 X 2	3-7/8	3-7/8	481130R20-3	481130R20-3EP
3 X 2-1/2	3-7/8	3-7/8	481130R25-3	481130R25-3EP
4 X 1/2	4-3/4	4-1/8	481140R05-3	481140R05-3EP
4 X 3/4	4-3/4	4-1/8	481140R07-3	481140R07-3EP
4 X 1	4-3/4	4-1/8	481140R10-3	481140R10-3EP
4 X 1-1/2	4-3/4	4-1/8	481140R15-3	481140R15-3EP
4 X 2	4-3/4	4-3/8	481140R20-3	481140R20-3EP
4 X 2-1/2	4-3/4	4-3/8	481140R25-3	481140R25-3EP
4 X 3	4-3/4	4-3/8	481140R30-3	481140R30-3EP
6 X 4	7-1/8	5-3/4	481160R40-3	481160R40-3EP



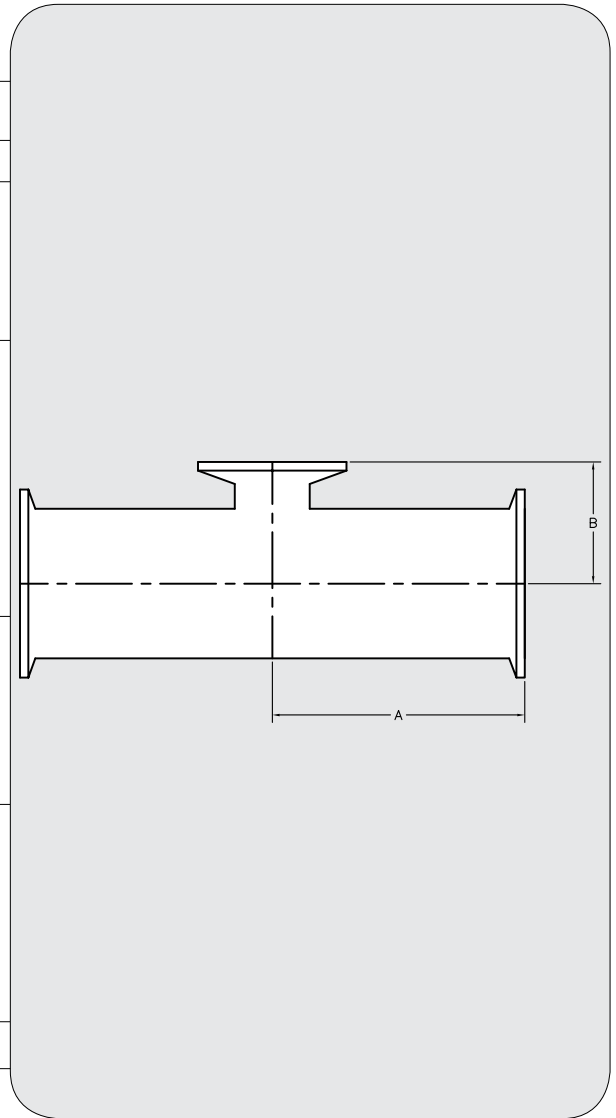
### 7MPS SHORT OUTLET TEE

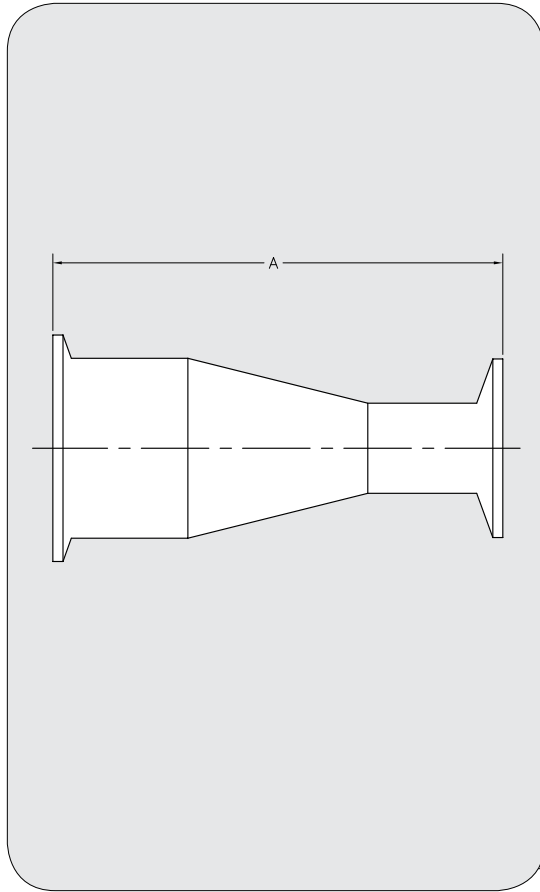
ASME BPE#  
DT-27

SIZE (TUBE O.D.)	A IN.	B IN.	STOCK NO. 20 RA ID	STOCK NO. 15 RA EP ID
1/2	2-1/4	1	481105S - 3	481105S - 3EP
3/4	2-3/8	1-1/8	481107S - 3	481107S - 3EP
1	2-5/8	1-1/8	481110S - 3	481110S - 3EP
1-1/2	2-7/8	1-3/8	481115S - 3	481115S - 3EP
2	3-3/8	1-5/8	481120S - 3	481120S - 3EP
2-1/2	3-5/8	1-7/8	481125S - 3	481125S - 3EP
3	3-7/8	2-1/8	481130S - 3	481130S - 3EP
4	4-3/4	2-3/4	481140S - 3	481140S - 3EP
6	7-1/8	4-5/8	481160S - 3	481160S - 3EP

## 7RMPS REDUCING TEE

SIZE	A	B	STOCK NO. 20 RA ID	STOCK NO. 15 RA EP ID
3/4 X 1/2	2-1/2	1	481107RS05-3	481107RS05-3EP
1 X 1/2	2-5/8	1-1/8	481110RS05-3	481110RS05-3EP
1 X 3/4	2-5/8	1-1/8	481110RS07-3	481110RS07-3EP
1-1/2 X 1/2	2-7/8	1-3/8	481115RS05-3	481115RS05-3EP
1-1/2 X 3/4	2-7/8	1-3/8	481115RS07-3	481115RS07-3EP
1-1/2 X 1	2-7/8	1-3/8	481115RS10-3	481115RS10-3EP
2 X 1/2	3-3/8	1-5/8	481120RS05-3	481120RS05-3EP
2 X 3/4	3-3/8	1-5/8	481120RS07-3	481120RS07-3EP
2 X 1	3-3/8	1-5/8	481120RS10-3	481120RS10-3EP
2 X 1-1/2	3-3/8	1-5/8	481120RS15-3	481120RS15-3EP
2-1/2 X 1/2	3-5/8	1-7/8	481125RS05-3	481125RS05-3EP
2-1/2 X 3/4	3-5/8	1-7/8	481125RS07-3	481125RS07-3EP
2-1/2 X 1	3-5/8	1-7/8	481125RS10-3	481125RS10-3EP
2-1/2 X 1-1/2	3-5/8	1-7/8	481125RS15-3	481125RS15-3EP
2-1/2 X 2	3-5/8	1-7/8	481125RS20-3	481125RS20-3EP
3 X 1/2	3-7/8	2-1/8	481130RS05-3	481130RS05-3EP
3 X 3/4	3-7/8	2-1/8	481130RS07-3	481130RS07-3EP
3 X 1	3-7/8	2-1/8	481130RS10-3	481130RS10-3EP
3 X 1-1/2	3-7/8	2-1/8	481130RS15-3	481130RS15-3EP
3 X 2	3-7/8	2-1/8	481130RS20-3	481130RS20-3EP
3 X 2-1/2	3-7/8	2-1/8	481130RS25-3	481130RS25-3EP
4 X 1/2	4-3/4	2-5/8	481140RS05-3	481140RS05-3EP
4 X 3/4	4-3/4	2-5/8	481140RS07-3	481140RS07-3EP
4 X 1	4-3/4	2-5/8	481140RS10-3	481140RS10-3EP
4 X 1-1/2	4-3/4	2-5/8	481140RS15-3	481140RS15-3EP
4 X 2	4-3/4	2-5/8	481140RS20-3	481140RS20-3EP
4 X 2-1/2	4-3/4	2-5/8	481140RS25-3	481140RS25-3EP
4 X 3	4-3/4	2-5/8	481140RS30-3	481140RS30-3EP
6 X 4	7-1/8	3-3/4	481160RS40-3	481160RS40-3EP

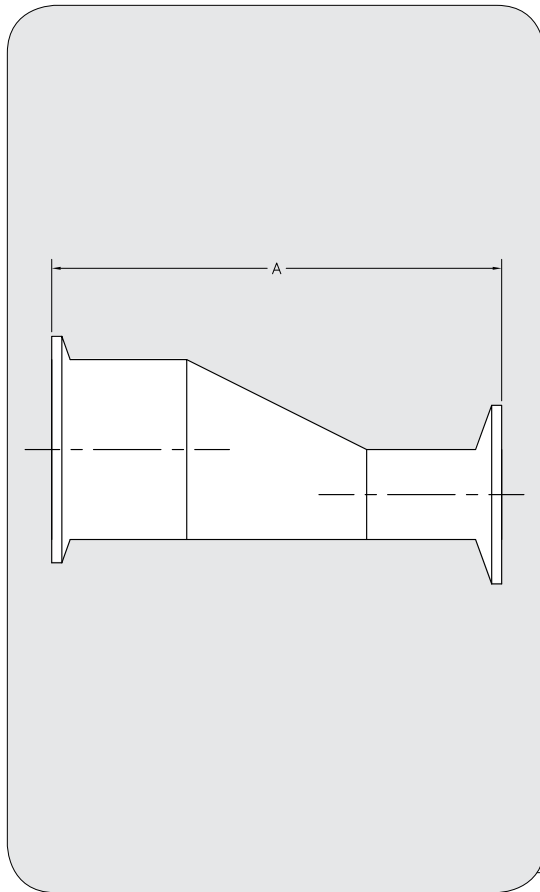




31-14MP CONCENTRIC REDUCER

ASME BPE#  
DT-21

SIZE	A	STOCK NO. 20 RA ID.	STOCK NO. 15 RA EP ID
3/4 X 1/2	2	4884-0705 - 3	4884-0705 - 3EP
1 X 1/2	2 1/2	4884-1005 - 3	4884-1005 - 3EP
1 X 3/4	2	4884-1007 - 3	4884-1007 - 3EP
1-1/2 X 1/2	3 1/2	4884-1505 - 3	4884-1505 - 3EP
1-1/2 X 3/4	3	4884-1507 - 3	4884-1507 - 3EP
1-1/2 X 1	3	4884-1510 - 3	4884-1510 - 3EP
2 X 1/2	5 1/2	4884-2005 - 3	4884-2005 - 3EP
2 X X 3/4	5	4884-2007 - 3	4884-2007 - 3EP
2 X 1	5	4884-2010 - 3	4884-2010 - 3EP
2 X 1 1/2	3	4884-2015 - 3	4884-2015 - 3EP
2-1/2 X 1/2	7 1/2	4884-2505 - 3	4884-2505 - 3EP
2-1/2 X 3/4	7	4884-2507 - 3	4884-2507 - 3EP
2-1/2 X 1	7	4884-2510 - 3	4884-2510 - 3EP
2-1/2 X 1-1/2	5	4884-2515 - 3	4884-2515 - 3EP
2-1/2 X 2	3	4884-2520 - 3	4884-2520 - 3EP
3 X 1	9	4884-3010 - 3	4884-3010 - 3EP
3 X 1-1/2	7	4884-3015 - 3	4884-3015 - 3EP
3 X 2	5	4884-3020 - 3	4884-3020 - 3EP
3 X 2-1/2	3	4884-3025 - 3	4884-3025 - 3EP
4 X 1	13 1/8	4884-4010 - 3	4884-4010 - 3EP
4 X 1-1/2	11 1/8	4884-4015 - 3	4884-4015 - 3EP
4 X 2	9 1/8	4884-4020 - 3	4884-4020 - 3EP
4 X 2-1/2	7 1/8	4884-4025 - 3	4884-4025 - 3EP
4 X 3	5 1/8	4884-4030 - 3	4884-4030 - 3EP
6 X 4	7 5/8	4884-6040 - 3	4884-6040 - 3EP



32-14MP ECCENTRIC REDUCER

ASME BPE#  
DT-21

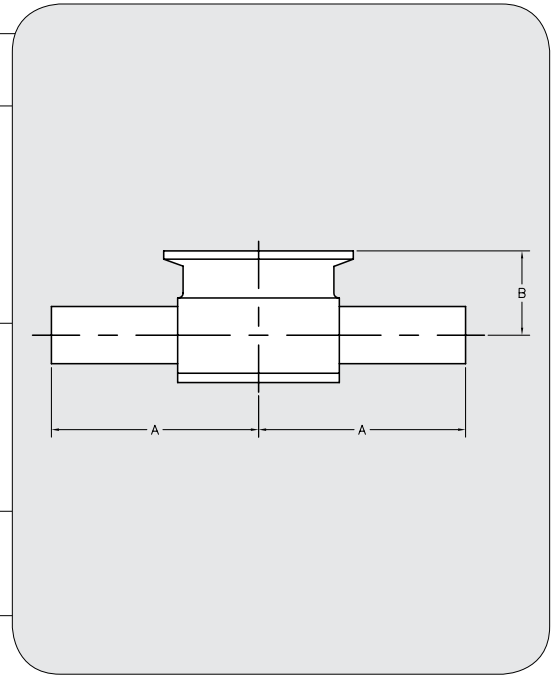
SIZE	A	STOCK NO. 20 RA ID.	STOCK NO. 15 RA EP ID
3/4 X 1/2	2	4885-0705 - 3	4885-0705 - 3EP
1 X 1/2	2 1/2	4885-1005 - 3	4885-1005 - 3EP
1 X 3/4	2	4885-1007 - 3	4885-1007 - 3EP
1-1/2 X 1/2	3 1/2	4885-1505 - 3	4885-1505 - 3EP
1-1/2 X 3/4	3	4885-1507 - 3	4885-1507 - 3EP
1-1/2 X 1	3	4885-1510 - 3	4885-1510 - 3EP
2 X 1/2	5 1/2	4885-2005 - 3	4885-2005 - 3EP
2 X 3/4	5	4885-2007 - 3	4885-2007 - 3EP
2 X 1	5	4885-2010 - 3	4885-2010 - 3EP
2 X 1 1/2	3	4885-2015 - 3	4885-2015 - 3EP
2-1/2 X 1/2	7 1/2	4885-2505 - 3	4885-2505 - 3EP
2-1/2 X 3/4	7	4885-2507 - 3	4885-2507 - 3EP
2-1/2 X 1	7	4885-2510 - 3	4885-2510 - 3EP
2-1/2 X 1-1/2	5	4885-2515 - 3	4885-2515 - 3EP
2-1/2 X 2	3	4885-2520 - 3	4885-2520 - 3EP
3 X 1	9	4885-3010 - 3	4885-3010 - 3EP
3 X 1-1/2	7	4885-3015 - 3	4885-3015 - 3EP
3 X 2	5	4885-3020 - 3	4885-3020 - 3EP
3 X 2-1/2	3	4885-3025 - 3	4885-3025 - 3EP
4 X 1	13 1/8	4885-4010 - 3	4885-4010 - 3EP
4 X 1-1/2	11 1/8	4885-4015 - 3	4885-4015 - 3EP
4 X 2	9 1/8	4885-4020 - 3	4885-4020 - 3EP
4 X 2-1/2	7 1/8	4885-4025 - 3	4885-4025 - 3EP
4 X 3	5 1/8	4885-4030 - 3	4885-4030 - 3EP
6 X 4	7 5/8	4885-6040 - 3	4885-6040 - 3EP

### TL71WWMS INSTRUMENT TEES

ASME BPE#  
DT-28

SIZE (TUBE O.D.)	A	B	STOCK NO. 20 RA ID	STOCK NO. 15 RA EP ID
1/2 X 1-1/2	2-1/2	7/8	407105W15C-3	407105W15C-3EP
1/2 X 2	2-3/4	1	407105W20C-3	407105W20C-3EP
1/2 X 2-1/2	3	1-1/8	407105W25C-3*	407105W25C-3EP*
3/4 X 1	2-1/2	1	407107W10C-3	407107W10C-3EP
3/4 X 1-1/2	2-1/2	1	407107W15C-3	407107W15C-3EP
3/4 X 2	2-3/4	1-1/8	407107W20C-3	407107W20C-3EP
3/4 X 2-1/2	3	1-1/8	407107W25C-3*	407107W25C-3EP*
1 X 1-1/2	2-1/2	1-1/8	407110W15C-3	407110W15C-3EP
1 X 2	2-3/4	1-1/4	407110W20C-3	407110W20C-3EP
1 X 2-1/2	3	1-1/4	407110W25C-3*	407110W25C-3EP*
1-1/2 X 2	2-3/4	1-1/2	407115W20C-3	407115W20C-3EP
1-1/2 X 2-1/2	3	1-1/2	407115W25C-3*	407115W25C-3EP*
1-1/2 X 3	3-1/4	1-1/2	407115W30C-3*	407115W30C-3EP*
2 X 2-1/2	3	1-3/4	407120W25C-*	407120W25C-3EP*
2 X 3	3-1/4	1-3/4	407120W30C-*	407120W30C-3EP*
2-1/2 X 2-1/2	3	2	407125W25C-3*	407125W25C-3EP*

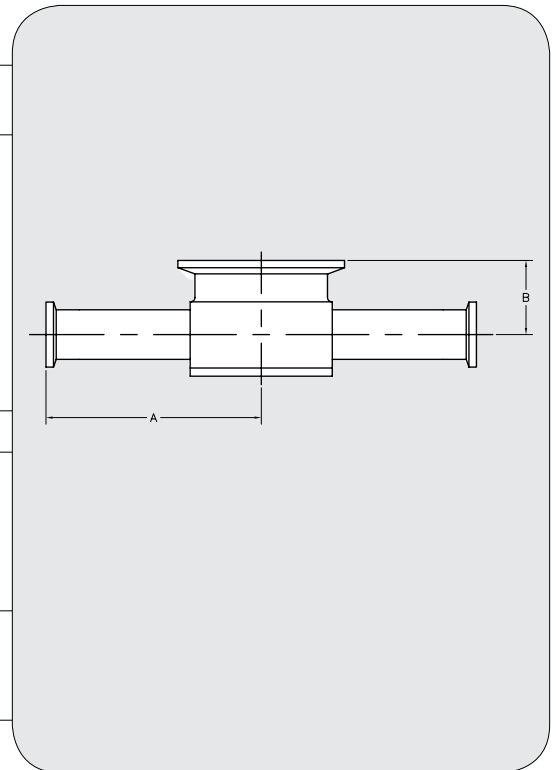
\* DOES NOT MEET MINIMUM TANGENT LENGTHS IN ASME BPE TABLE DT-4



### TL71MPS INSTRUMENT TEES

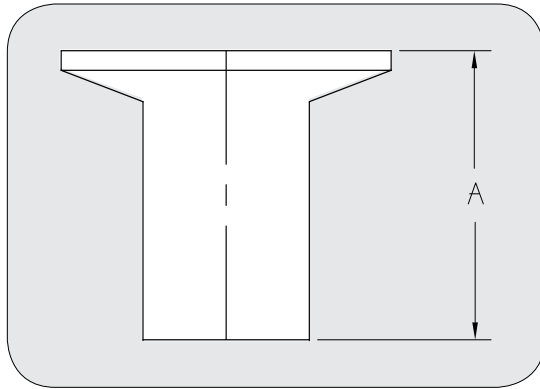
ASME BPE#  
DT-29

SIZE (TUBE O.D.)	A	B	STOCK NO. 20 RA ID	STOCK NO. 15 RA EP ID
1/2 X 3/4	3	7/8	487105W07C-3	487105W07C-3EP
1/2 X 1	3	7/8	487105W10C-3	487105W10C-3EP
1/2 X 1-1/2	3	7/8	487105W15C-3	487105W15C-3EP
1/2 X 2	3-1/4	1	487105W20C-3	487105W20C-3EP
1/2 X 2-1/2	3-1/2	1-1/8	487105W25C-3	487105W25C-3EP
3/4 X 1	3	1	487107W10C-3	487107W10C-3EP
3/4 X 1-1/2	3	1	487107W15C-3	487107W15C-3EP
3/4 X 2	3-1/4	1-1/8	487107W20C-3	487107W20C-3EP
3/4 X 2-1/2	3-1/2	1-1/8	487107W25C-3	487107W25C-3EP
1 X 1-1/2	3	1-1/8	487110W15C-3	487110W15C-3EP
1 X 2	3-1/4	1-1/4	487110W20C-3	487110W20C-3EP
1 X 2-1/2	3-1/2	1-1/4	487110W25C-3	487110W25C-3EP
1-1/2 X 2	2-3/4	1-1/2	487115W20C-3	487115W20C-3EP
1-1/2 X 2-1/2	3	1-1/2	487115W25C-3	487115W25C-3EP
1-1/2 X 3	3-3/4	1-1/2	487115W30C-3	487115W30C-3EP
2 X 2-1/2	3-1/2	1-3/4	487120W25C-3	487120W25C-3EP
2 X 3	3-3/4	1-3/4	487120W30C-3	487120W30C-3EP
2-1/2 X 2-1/2	3-1/2	2	407125W25C-3	407125W25C-3EP



# FERRULES

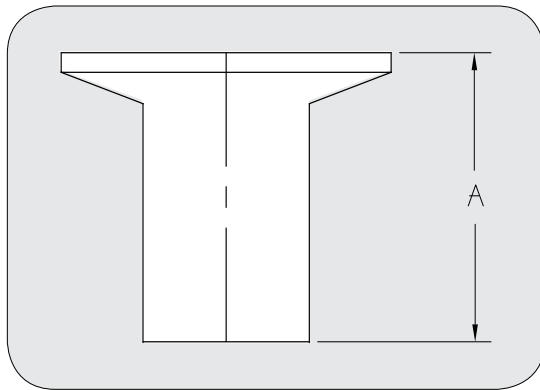
## BPE FITTINGS



TL14AM7 FERRULE

ASME BPE#  
DT-22(A)

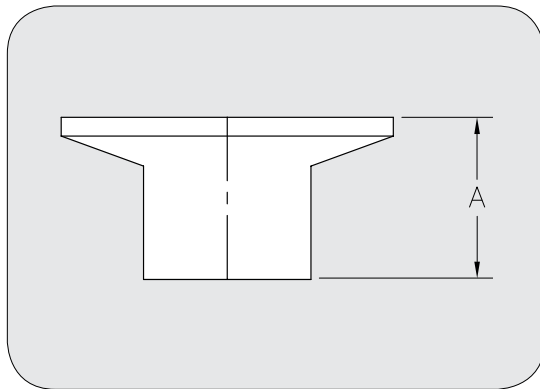
SIZE (TUBE O.D.)	A	STOCK NO. 20 RA ID	STOCK NO. 15 RA EP ID
1/2	1-3/4	407505S	407505S - 3EP
3/4	1-3/4	407507S	407507S - 3EP
1	1-3/4	407510S	407510S - 3EP
1-1/2	1-3/4	407515S	407515S - 3EP
2	2-1/4	407520S	407520S - 3EP
2-1/2	2-1/4	407525S	407525S - 3EP
3	2-1/4	407530S	407530S - 3EP
4	2-1/4	407540S	407540S - 3EP
6	3	407560S	407560S - 3EP



L14AM7 BUTT WELD FERRULE BPE

ASME BPE#  
DT-22(B)

SIZE (TUBE O.D.)	A	STOCK NO. 20 RA ID	STOCK NO. 15 RA EP ID
1	1.13	487510-7	487510-7EP
1-1/2	1.13	487515-7	487515-7EP
2	1.13	487520-7	487520-7EP
2-1/2	1.13	487525-7	487525-7EP
3	1.13	487530-7	487530-7EP
4	1.13	487540-7	487540-7EP
6	1.50	487560-7	487560-7EP



14WMP SHORT WELD FERRULE BPE

ASME BPE#  
DT-22(C)

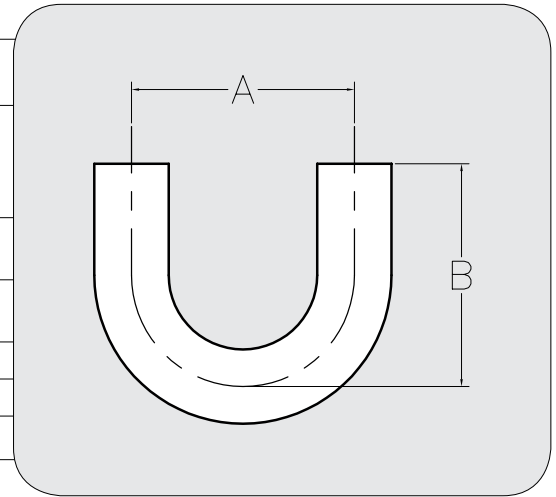
SIZE (TUBE O.D.)	A	STOCK NO. 20 RA ID	STOCK NO. 15 RA EP ID
1	1.13	48210-7	48210-7EP
1-1/2	1.13	48215-7	48215-7EP
2	1.13	48220-7	48220-7EP
2-1/2	1.13	48225-7	48225-7EP
3	1.13	48230-7	48230-7EP
4	1.13	48240-7	48240-7EP
6	1.50	48260-7	48260-7EP



### 2WUL 180° U-BENDS

ASME BPE#  
DT-23

SIZE (TUBE O.D.)	A	B	STOCK NO. 20 RA ID	STOCK NO. 15 RA EP ID
1/4*	4-1/2	2-5/8	40U02-3	40U02-3EP
3/8*	4-1/2	2-5/8	40U03-3	40U03-3EP
1/2*	4-1/2	3	40U05-3	40U05-3EP
3/4*	4-1/2	3	40U07-3	40U07-3EP
1	3	3	40U10-3	40U10-3EP
1-1/2	4-1/2	4-1/2	40U15-3	40U15-3EP
2	6	5	40U20-3	40U20-3EP
2-1/2	7-1/2	5-3/4	40U25-3	40U25-3EP
3	9	6-1/2	40U30-3	40U30-3EP
4	12'	8-1/2	40U40-3	40U40-3EP
6	18	11-1/2	40U60-3	40U60-3EP

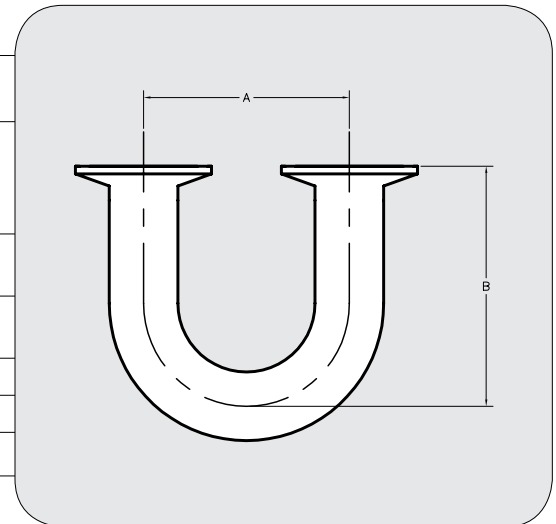


\* DOES NOT MEET MINIMUM TARGET LENGTHS IN ASME BPE TABLE DT-4

### 2WUMP 180° U-BENDS

ASME BPE#  
DT-24

SIZE (TUBE O.D.)	A	B	STOCK NO. 20 RA ID	STOCK NO. 15 RA EP ID
1/4	4-1/2	3-1/8	48U02-3	48U02-3EP
3/8	4-1/2	3-1/8	48U03-3	48U03-3EP
1/2	4-1/2	3-1/2	48U05-3	48U05-3EP
3/4	4-1/2	3-1/2	48U07-3	48U07-3EP
1	3	3-1/2	48U10-3	48U10-3EP
1-1/2	4-1/2	5	48U15-3	48U15-3EP
2	6	5-1/2	48U20-3	48U20-3EP
2-1/2	7-1/2	6-1/4	48U25-3	48U25-3EP
3	9	7	48U30-3	48U30-3EP
4	12'	9-1/8	48U40-3	48U40-3EP
6	18	13	48U60-3	48U60-3EP



# TOP LINE

PROCESS EQUIPMENT COMPANY

. . . the source for  
all your product needs  
in the process industries

Contact your Top Line Representative for Assistance

Office: P.O. Box 264 · Bradford, PA 16701

Plant: 21 Valley Hunt Drive · Lewis Run, PA 16738

800-458-6095

814-362-4626

Fax: 814-362-4453

## PUMPS & STRAINERS- Centrifugal, Rotary Lobe, Filters and Strainers



## VALVES - Manual, Actuated, Diaphragm



## FITTINGS - Clamp, Sanitary Butt Weld, Bevel Seat, Tube OD Butt weld, Custom, Biopharm



## TUBING, GAUGES, SIGHT GLASSES, BRAIDED HOSE



[www.toplineonline.com](http://www.toplineonline.com)