



Mini Fittings



Stainless Steel Flow Control Equipment for the
Food, Beverage, Dairy, Cosmetics, Biotechnology,
Pharmaceutical and Electronics Processing Industries

Mini Fittings (non-BPE)



Clamp Type Fittings

Special clamp type fittings are available to meet the stringent needs of the biotechnology, pharmaceutical, electronics and cosmetic industries. Produced of type 316L stainless steel, the units have an exceptionally fine 32RA ID & OD finish. Other finish to 10RA plus electropolish is available in the BPE Clamp Section.

SIZE (TUBE O.D.)	2CMP A	STOCK NO.	2KMP B	STOCK NO.	7MP C	D	STOCK NO.
1/2	3-1/2	38705-7	2-3/4	38805-7	2-5/8	5-1/4	381105-7
3/4	3-1/2	38707-7	2-3/4	38807-7	2-5/8	5-1/4	381107-7

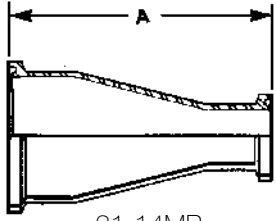
OUTSIDE DIA. (TUBE O.D.)	16AMP A	STOCK NO.	SIZE (TUBE O.D.)	14WMP B	STOCK NO.	SIZE (TUBE O.D.)	L14AM B	STOCK NO.
1/2 & 3/4	.187	389807	1/2	1/2	38205	1/2	1.125	387505
			3/4	1/2	38207	3/4	1.125	387507

GASKET

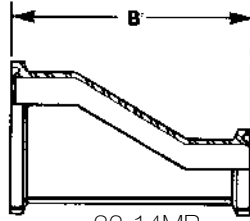
SIZE (TUBE O.D.)	A
1/2	.859
3/4	.859

13LAH-HEAVY DUTY CLAMP

SIZE (TUBE O.D.)	A	STOCK NO.
1/2 & 3/4	1-1/8	389905B



31-14MP
CONCENTRIC REDUCER

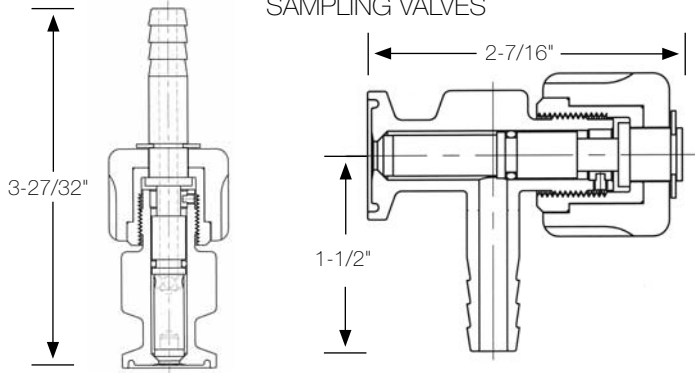


32-14MP
ECCENTRIC REDUCER

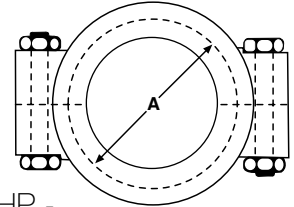
SIZE (TUBE O.D.)	31-14MP	32-14MP
	A	B
3/4 x 1/2	2	2
1 x 1/2	2-1/2	2-1/2
1 x 3/4	2	2
1-1/2 x 1/2	3-1/2	3-1/2
1-1/2 x 3/4	3	3
2 x 1/2	5-1/2	5-1/2
2 x 3/4	3	3

NOTE: SEE BPE SECTION E PAGE 12

SAMPLING VALVES



SEE VALVE SECTION



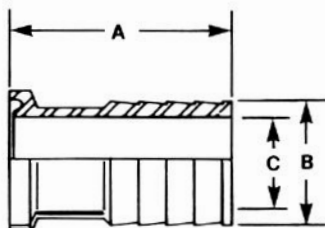
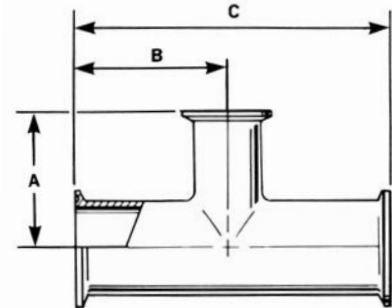
13MHP -
MINI HIGH PRESSURE CLAMP

SIZE	A	STOCK NO.
1/2	1-1/8	329907HP (304 SS)
3/4	1-1/8	329907HP (304 SS)

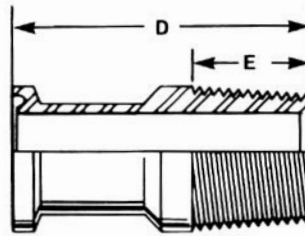
*316L AVAILABLE UPON REQUEST

7RMP – REDUCING TEE (Reduced Size on Branch)

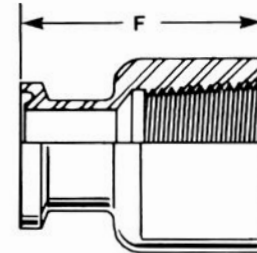
SIZE	A	B	C	STOCK NO.
3/4 x 1/2	2-1/2	2-1/2	5	381107R05-7
1 x 1/2	2-5/8	2-5/8	5-1/4	381110R05-7
1 x 3/4	2-5/8	2-5/8	5-1/4	381110R07-7
1-1/2 x 1/2	2-7/8	2-7/8	5-3/4	381115R05-7
1-1/2 x 3/4	2-7/8	2-7/8	5-3/4	381115R07-7
2 x 1/2	3-1/8	3-3/8	5-3/4	381120R05-7
2 x 3/4	3-1/8	3-3/8	6-3/4	381120R07-7



14MPHR-HOSE ADAPTER



21MP-MALE ADAPTER



22MP-FEMALE ADAPTER

SIZE (TUBE OD.)	14MPHR			STOCK NO.	21MP			22MP	
	A	B	C		D	E	STOCK NO.	F	STOCK NO.
1/2 x 1/8	1.500	.147	.062	387800	2.000	.3924	38820500	1.250	38830500
1/2 x 1/4	1.500	.312	.187	387800A	2.000	.5946	38820500A	1.500	38830500A
1/2 x 3/8	1.500	.405	.218	387800B	2.000	.6006	38820500B	1.500	38830500B
1/2 x 1/2	1.500	.540	.375	387805	2.000	.7815	38820505	1.500	388305050
1/2 x 3/4	1.500	.840	.625	387805A	2.000	.7935	38820507	1.625	38830507
3/4 x 1/8	1.500	.147	.062	3878007	2.000	.3924	38820700	1.250	38830700
3/4 x 1/4	1.500	.312	.187	387807A	2.000	.5946	38820700A	1.500	38830700A
3/4 x 3/8	1.500	.405	.218	387807B	2.000	.6006	38820700B	1.500	38830700B
3/4 x 1/2	1.500	.540	.375	387807C	2.000	.7815	38820705	1.500	38830700C
3/4 x 3/4	1.500	.840	.625	387807	2.000	.7935	38820707	1.625	38830707

TOP LINE

PROCESS EQUIPMENT COMPANY

... the source for
all your product needs
in the process industries

Contact your Top Line Representative for Assistance

Office: P.O. Box 264 · Bradford, PA 16701

Plant: 21 Valley Hunt Drive · Lewis Run, PA 16738

800-458-6095

814-362-4626

Fax: 814-362-4453

PUMPS & STRAINERS- Centrifugal, Rotary Lobe, Filters and Strainers



VALVES - Manual, Actuated, Diaphragm



FITTINGS - Clamp, Sanitary Butt Weld, Bevel Seat, Tube OD Butt weld, Custom, Biopharm



TUBING, GAUGES, SIGHT GLASSES, BRAIDED HOSE



www.toplineonline.com