

# Pedestal Series #2

Strahman's latest pedestal-type mixing stations incorporate a sleeker, more economical design. The mounting configuration is still completely constructed of stainless steel, making it ideal for applications. An added feature to this simplified design is that it supports ball and globe valve configurations as well.

## Specifications

- ◆ **Maximum water temperature:** ..... 200°F/93°C
- ◆ **Maximum working pressure:** ..... 150 psi steam

## Pedestal Series Available:

*Standard Mixing Units Available  
in Bronze and Stainless Steel*

- ◆ **M-5000TG** ..... Bronze
- ◆ **M-159** ..... Bronze
- ◆ **M-159TG** ..... Bronze
- ◆ **M-156N** ..... Bronze
- ◆ **M-5700TG** ..... Stainless Steel
- ◆ **M-750** ..... Stainless Steel
- ◆ **M-750TG** ..... Stainless Steel
- ◆ **M-756** ..... Stainless Steel
- ◆ **M-144TG** ..... Bronze
- ◆ **M-200TS** ..... Bronze
- ◆ **M-5000TS** ..... Bronze



*Shown: M-750TG with ball valves; shown with premium hose assembly and S-70 Series nozzle.*



### USA Headquarters

2801 Baglyos Circle ♦ Bethlehem, PA 18020

Phone: (484) 893-5080 ♦ Fax: (484) 893-5099 ♦ Toll Free: (877) STRAHMAN

[www.strahmanvalves.com](http://www.strahmanvalves.com)

### France

Savoie Hexapole, F-73420 Mery, France

Tel: 33 (0) 4 79 35 78 00

Fax: 33 (0) 4 79 35 78 20

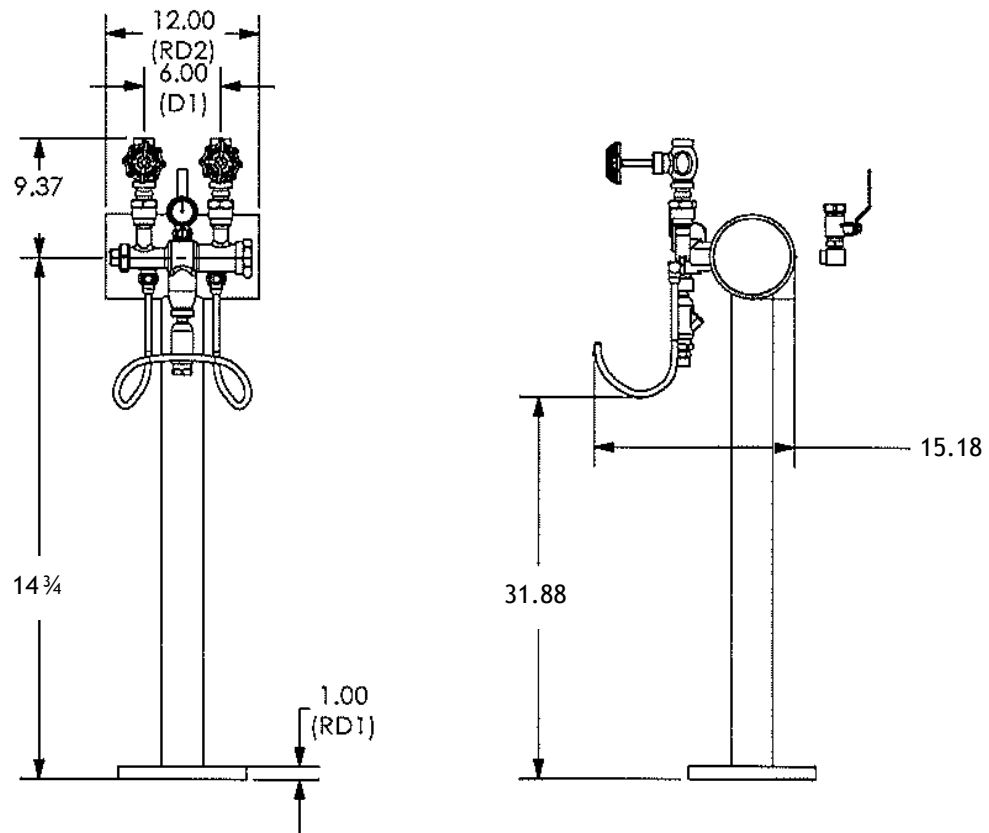
### Germany

Zum Schwarzhof 14, 77704, Oberkirch, Germany

Tel: 49 (0) 7802 - 7037879

Fax: 49 (0) 7802 - 7037889

# Pedestal Series #2



**Shown:** Dimensions for *Pedestal Series*; shown with *M-5000TG* unit.  
Please see reverse side for a list of units available with our *Pedestal Series*.