

# Hi-Sanitary Stainless Steel Hose Reel

Strahman's spring rewind hose reels make winding and rewinding our heavy-duty water hose quick and efficient, and provide tidy hose storage and protection. Our reels are equipped with a heavy-duty internal spring motor for effortless winding and rewinding. A sturdy ratchet assembly locks the reel when the desired length of hose has been pulled out; a gentle tug on the hose will unlock the reel and trigger the spring motor to retract the hose.

Our Hi-Sanitary Stainless Steel Spring Rewind Hose reel is perfect for sanitary or harsh environments. The reel's polished, bare finish helps reduce the risk of contamination providing the best surface for even the most stringent sanitary requirements. The Hi-Sanitary Spring Rewind Reel delivers quality and durability for all of your wash down applications.



**Shown:** Hi-Sanitary Hose Reel

## Specifications

- ◆ Open construction allows for easy wash down and hand/brush scrubbing to minimize trapped food materials.
- ◆ Mounting plate with opening simplifies cleaning and drying
- ◆ Automatic Spring rewind assembly provides safe, quick and easy rewind of hose
- ◆ All 304 stainless steel construction resists rust and corrosion
- ◆ Easily installed on the floor or wall

*Please see reverse side for dimensions.*



### USA Headquarters

2801 Baglyos Circle ♦ Bethlehem, PA 18020

Phone: (484) 893-5080 ♦ Fax: (484) 893-5099 ♦ Toll Free: (877) STRAHMAN

[www.strahmanvalves.com](http://www.strahmanvalves.com)

### France

Savoie Hexapole, F-73420 Mery, France

Tel: 33 (0) 4 79 35 78 00

Fax: 33 (0) 4 79 35 78 20

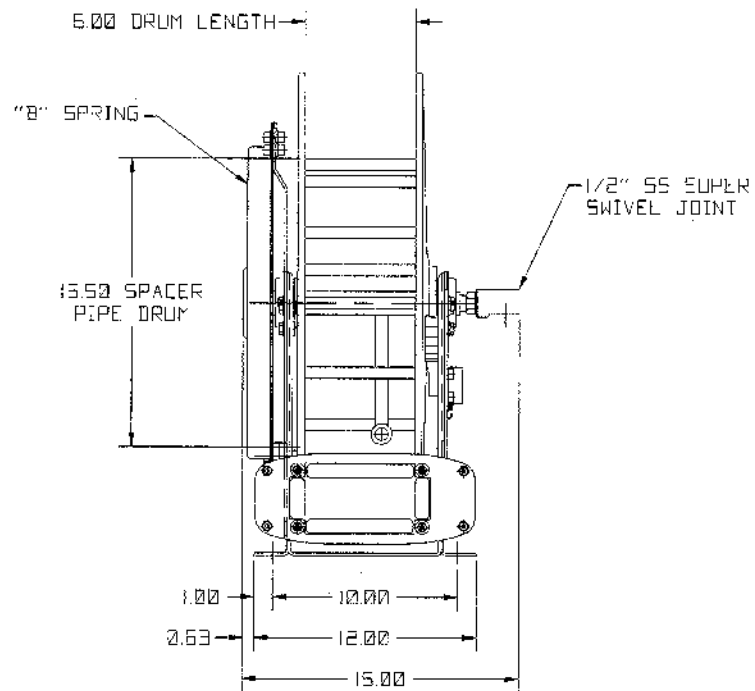
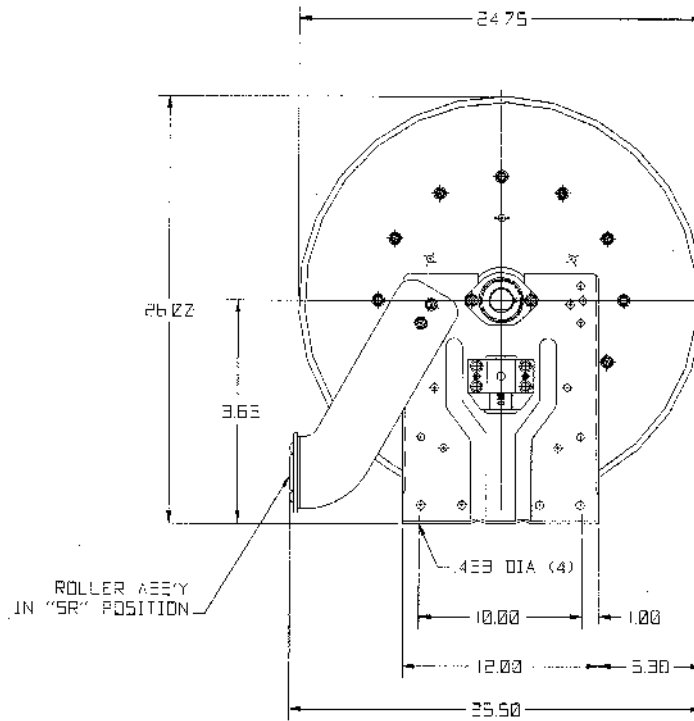
### Germany

Zum Schwarzhof 14, 77704, Oberkirch, Germany

Tel: 49 (0) 7802 - 7037879

Fax: 49 (0) 7802 - 7037889

# Hi-Sanitary Stainless Steel Hose Reel Dimensions



*Hose reel to be used with our 5/8" I.D. hose assembly "RS" only, maximum length 50 ft.*