



Top-Flo[®] Sample Valve



Stainless Steel Flow Control Equipment for the
Food, Beverage, Dairy, Cosmetics, Biotechnology,
Pharmaceutical and Electronics Processing Industries

Top-Flo® Sample Valves

Top-Flo® sample valves are specially engineered to be the finest in the industry and incorporate many features and benefits not found on other sampling valves. Top-Flo® sampling valves come standard with minimal internal deadleg area designed into each valve, keeping hold up volume to a minimum for accurate samples every time. Right Angle or In-Line models available from stock in sizes 1/2" to 4" clamp end x hose barb.

Features and Benefits

- All 316L wetted part construction
- Standard finish to 25Ra ID
- Tapered virgin PTFE stem tip for positive closure
- FDA Viton stem seal
- Positive open stop to prevent accidental removal of stem from valve body
- Black Ultem® nut cover to prevent accidental burns from conveyed heat from hot products
- Tapered clamp connection to prevent possible product hold up area when installed in line
- Autoclaveable
- Fully traceable (material test reports)

Options

- Internal finish to 15Ra Electropolish
- FDA EPDM stem seal
- Weld end x hose barb
- Teflon nut cover
- USP Class VI

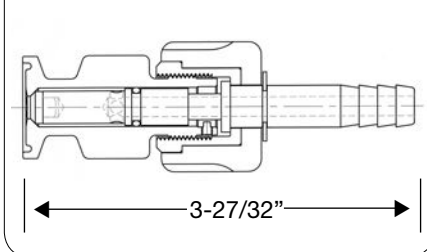
Service conditions

- Withstand pressures to 400 psi
- Temperatures from 0-300 deg F

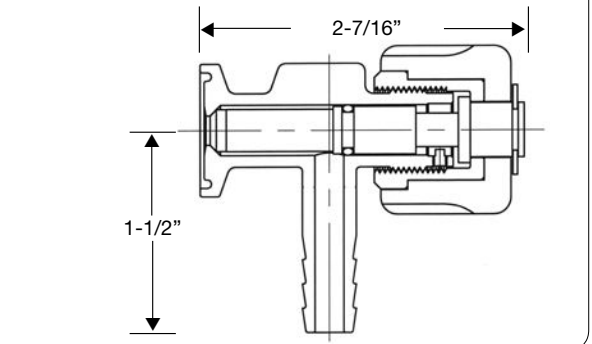
* For 1/2" clamp outlet, add TC suffix.
For details call factory.

Sizes Available

In-Line Type		
Clamp Connection	1/4" Hose Barb	3/8" Hose Barb
1/2"	380505-14IN	380505-38IN
3/4"	380507-14IN	380507-38IN
1"	380510-14IN	380510-38IN
1-1/2"	380515-14IN	380515-38IN
2"	380520-14IN	380520-38IN
2-1/2"	380525-14IN	380525-38IN
3"	380530-14IN	380530-38IN
4"	380540-14IN	380540-38IN



Right Angle Type			
Clamp Connection	1/4" Hose Barb	3/8" Hose Barb	1/2" Hose Barb*
1/2"	380505-14	380505-38	380505-12
3/4"	380507-14	380507-38	380507-12
1"	380510-14	380510-38	380510-12
1-1/2"	380515-14	380515-38	380515-12
2"	380520-14	380520-38	380520-12
2-1/2"	380525-14	380525-38	380525-12
3"	380530-14	380530-38	380530-12
4"	380540-14	380540-38	380540-12




... the source for
all your product needs
in the process industries

Contact your Top Line Representative for Assistance
Office: P.O. Box 264 · Bradford, PA 16701

Plant: 21 Valley Hunt Drive · Lewis Run, PA 16738

Phone: 800-458-6095

814-362-4626

Fax: 814-362-4453