



Top-Flo[®] SV2 Sample Valve



Stainless Steel Flow Control Equipment for the
Food, Beverage, Dairy, Cosmetics, Biotechnology,
Pharmaceutical and Electronics Processing Industries

www.toplineonline.com

Top-Flo® SV2 Sample Valves

Top-Flo® SV2 sample valves are specially engineered to be the finest in the industry and incorporate many features and benefits not found on other sampling valves. Top-Flo® SV2 sampling valves come standard with minimal internal deadleg area designed into each valve, keeping hold up volume to a minimum for accurate samples every time. Right Angle or In-Line models available from stock in sizes 1/2" to 6" in a variety of inlet/outlet connections.

Right Angle Type Standard Features

- 316L SS wetted part construction
- Standard finish: 20Ra ID (SF1) / 32Ra OD
- Replaceable tapered FDA/USP class VI PTFE stem for positive closure
- FDA/USP class VI Viton o-ring stem seal
- Positive open stop to prevent accidental stem removal during operation
- Fully autoclaveable without disassembly
- Thermoplastic black Ultem® operator nut
- Full material traceability

Right Angle Type Optional Features

- Upgraded internal finish to 20Ra W/ EP (SF5) or 15Ra W/ EP (SF4)
- Alternate valve material: Hastelloy C276
- FDA/USP class VI EPDM o-ring stem seal
- Alternative end connections upon request

Right Angle Type Service Conditions

- Maximum operating temperature: 300° F
- Maximum operating pressure: 400 PSIG
- Maximum SWP: 35 PSIG SWP @ 280° F

PART NUMBER MATRIX

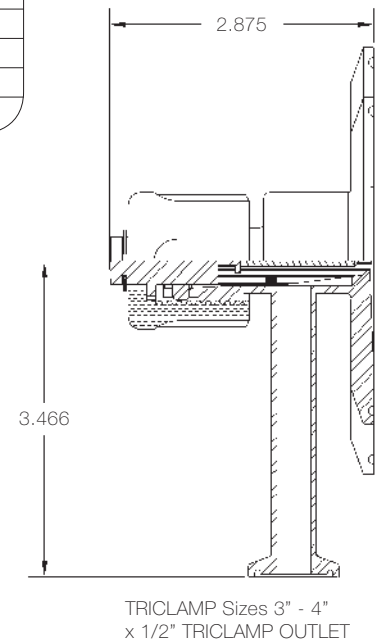
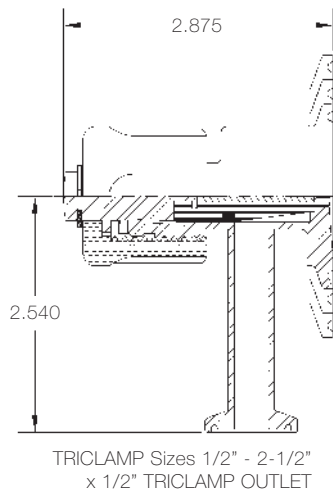
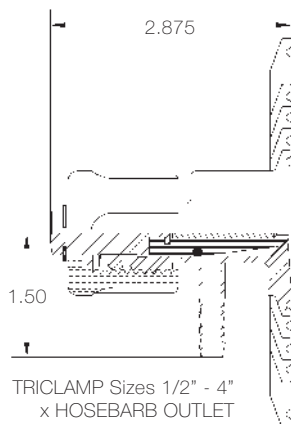
TYPE	MATERIAL	INTERNAL STEM	STEM O-RING	MAIN VALVE CONNECTION	OUTLET CONNECTION	ID SURFACE FINISH
SV2 SV2 RIGHT ANGLE SV	6 316L	T FDA/USP PTFE	E FDA/USP EPDM	50 1/2" TC	A 1/4" HOSE BARB	SF1 20RA
	H HASTELLOY C276		V FDA/USP VITON	75 3/4" TC	B 3/8" HOSE BARB	SF4 15RA W/ EP
				10 1" TC	C 1/2" HOSE BARB	SF5 20RA W/ EP
				15 1 1/2" TC	D 1/2" TC	
				20 2" TC		
				25 2 1/2" TC		
				30 3" TC		
				40 4" TC		
				60 6" TC		

PART NUMBER EXAMPLE:
SV26TV50ASF1

TOP-FLO® SERIES SV2 RIGHT ANGLE SAMPLE VALVE, 1/2" CLAMP INLET X 1/4" HOSE BARB OUTLET, FDA/USP PTFE STEM, FDA/USP VITON STEM O-RING, 20RA ID (SF1), 316LSS

Right Angle Type

Clamp Connection	1/4" Hose Barb	3/8" Hose Barb	1/2" Hose Barb
1/2"	SV26TV50ASF1	SV26TV50BSF1	SV26TV50CSF1
3/4"	SV26TV75ASF1	SV26TV75BSF1	SV26TV75CSF1
1"	SV26TV10ASF1	SV26TV10BSF1	SV26TV10CSF1
1-1/2"	SV26TV15ASF1	SV26TV15BSF1	SV26TV15CSF1
2"	SV26TV20ASF1	SV26TV20BSF1	SV26TV20CSF1
2-1/2"	SV26TV25ASF1	SV26TV25BSF1	SV26TV25CSF1
3"	SV26TV30ASF1	SV26TV30BSF1	SV26TV30CSF1
4"	SV26TV40ASF1	SV26TV40BSF1	SV26TV40CSF1



In-Line Type Features and Benefits

- 316L SS wetted part construction
- Standard finish: 20Ra ID (SF1) / 32Ra OD
- Replaceable tapered FDA/USP class VI PTFE stem for positive closure
- FDA/USP class VI Viton o-ring stem seal
- Positive open stop to prevent accidental stem removal during operation
- Fully autoclaveable without disassembly
- Thermoplastic black Ultem® operator nut
- Full material traceability

In-Line Type Options

- Upgraded internal finish to 20Ra W/ EP (SF5) or 15Ra W/ EP (SF4)
- Alternate valve material: Hastelloy C276
- FDA/USP class VI EPDM o-ring stem seal
- Alternative end connections upon request

In-Line Type Service Conditions

- Maximum operating temperature: 300° F
- Maximum operating pressure: 400 PSIG
- Maximum SWP: 35 PSIG SWP @ 280° F

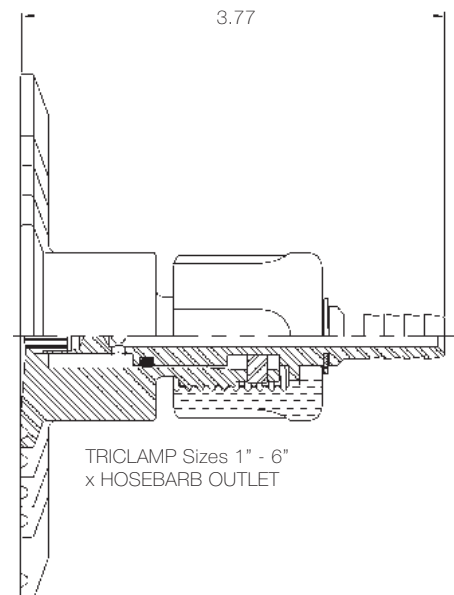
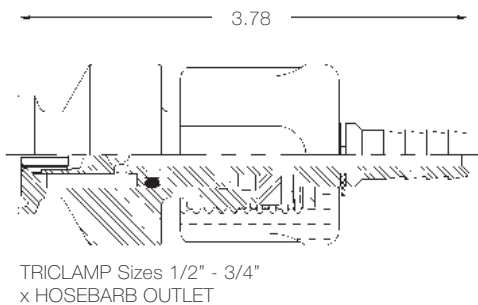
PART NUMBER MATRIX

TYPE	MATERIAL	INTERNAL STEM	STEM O-RING	MAIN VALVE CONNECTION	OUTLET CONNECTION	ID SURFACE FINISH
IN2 IN2 IN-LINE SV	6 316L	T FDA/USP PTFE	E FDA/USP EPDM	50 1/2" TC	A 1/4" HOSE BARB	SF1 20RA
	H HASTELLOYS C276		V FDA/USP VITON	75 3/4" TC	B 3/8" HOSE BARB	SF4 15RAW/EP
				10 1" TC	C 1/2" HOSE BARB	SF5 20RAW/EP
				15 1 1/2" TC		
				20 2" TC		
				25 2 1/2" TC		
				30 3" TC		
				40 4" TC		
				60 6" TC		

PART NUMBER EXAMPLE:
IN26TV50ASF1

TOP-FLO® SERIES IN2 IN-LINE SAMPLE VALVE, 1/2" CLAMP INLET X 1/4" HOSE BARB OUTLET, FDA/USP PTFE STEM, FDA/USP VITON STEM O-RING, 20RA ID (SF1), 316LSS

In-Line Type		
Clamp Connection	1/4" Hose Barb	3/8" Hose Barb
1/2"	IN26TV50ASF1	IN26TV50BSF1
3/4"	IN26TV75ASF1	IN26TV75BSF1
1"	IN26TV10ASF1	IN26TV10BSF1
1-1/2"	IN26TV15ASF1	IN26TV15BSF1
2"	IN26TV20ASF1	IN26TV20BSF1
2-1/2"	IN26TV25ASF1	IN26TV25BSF1
3"	IN26TV30ASF1	IN26TV30BSF1
4"	IN26TV40ASF1	IN26TV40BSF1



TOP LINE

PROCESS EQUIPMENT COMPANY

. . . the source for
all your product needs
in the process industries

Contact your Top Line Representative for Assistance

Office: P.O. Box 264 · Bradford, PA 16701

Plant: 21 Valley Hunt Drive · Lewis Run, PA 16738

800-458-6095

814-362-4626

Fax: 814-362-4453

PUMPS & STRAINERS- Centrifugal, Rotary Lobe, Filters and Strainers



VALVES - Manual, Actuated, Diaphragm



FITTINGS - Clamp, Sanitary Butt Weld, Bevel Seat, Tube OD Butt weld, Custom, Biopharm



TUBING, GAUGES, SIGHT GLASSES, BRAIDED HOSE



www.toplineonline.com